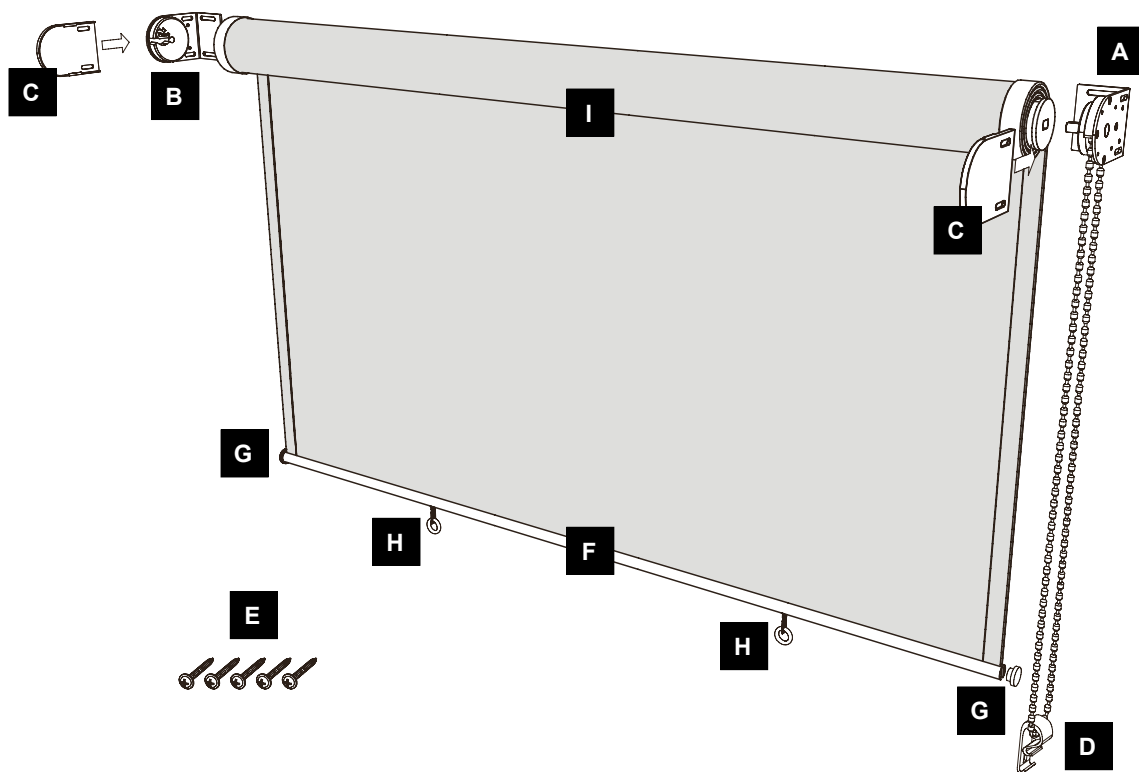
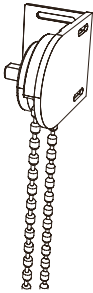
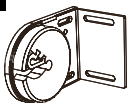
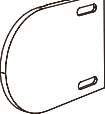


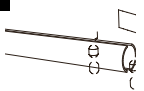





COOLFIT ROLLER BLINDS



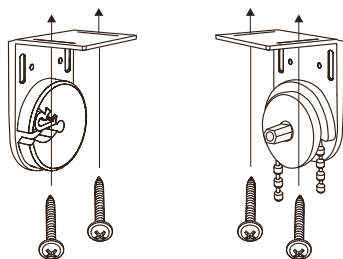
Parts list

A  1x	B  1x	C  2x	D  1x	E  5x	F  1x
G  2x	H  2x	I  1x			

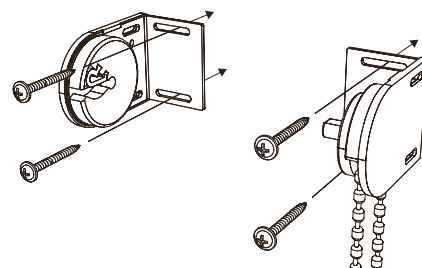
PLATINUM[®]

SUN & SHADE

Option 1: Inside mount

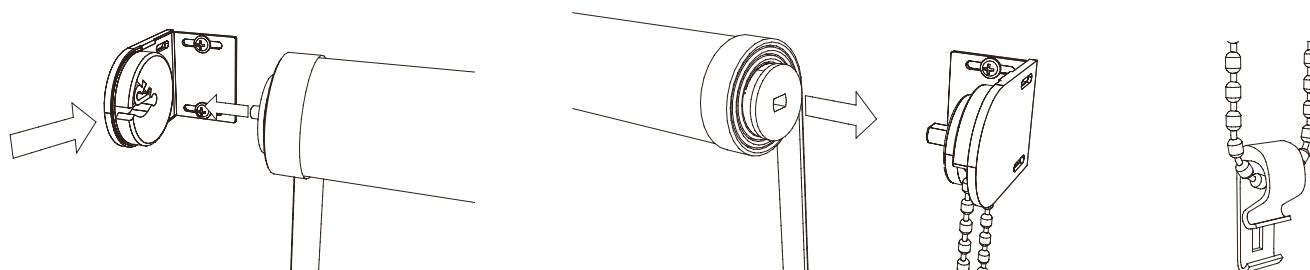


Option 2: Outside mount



STEP 1

Install brackets and do not tighten screws completely yet.

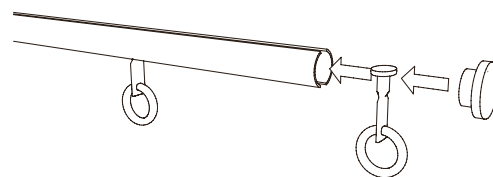


STEP 2

1. Install the shade and tighten the bracket screws completely.
2. Install tension device.

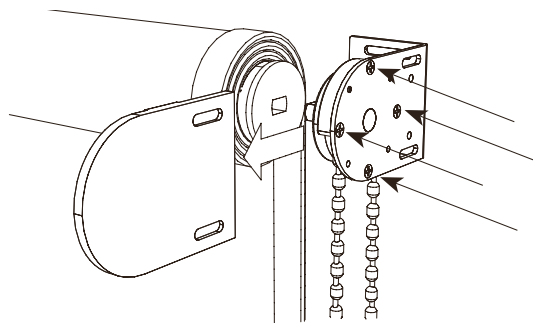
STEP 3


Install tie downs (if desired).
Mounting material to the ground is not included.



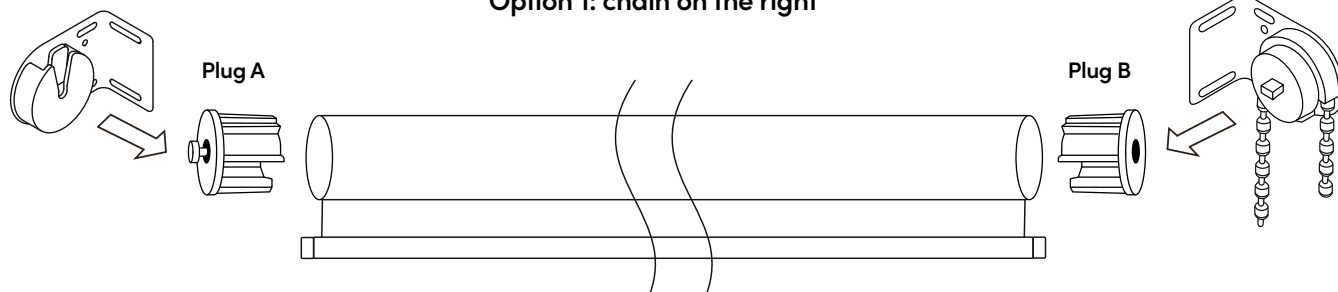
STEP 4

Adjusting chain tension (if needed).
If chain tension is too tight (chain is difficult to pull), slide off bracket cover and loosen 4 screws. If chain tension is too loose, slide off bracket cover and tighten 4 screws.

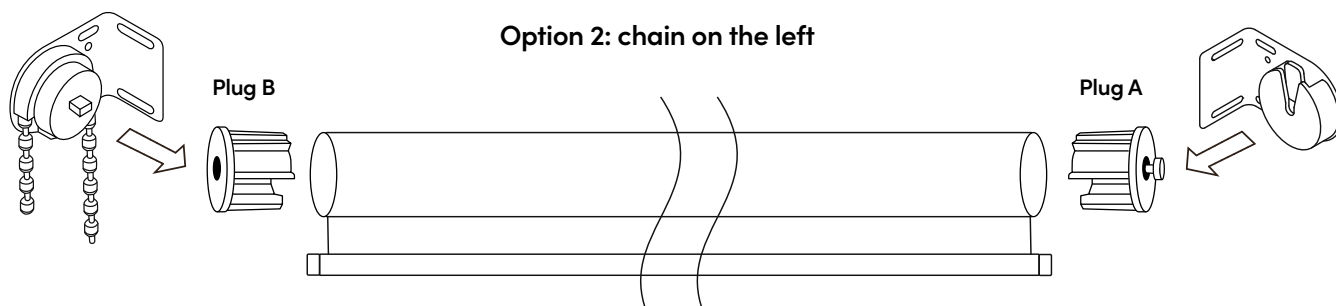


 Important. Follow the assembly instructions carefully.

Option 1: chain on the right



Option 2: chain on the left



STEP 5

You can change the side of the chain by switching de plugs.



Not tested for wind. Remember to roll up the roller blind before leaving the house.