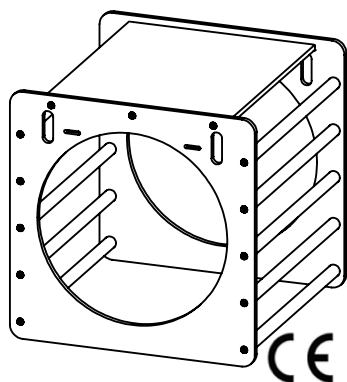




KateHaa Wooden Toys

Learn, Play and Explore

WOODEN ACTIVITY TOY EXPLORER ACTIVITY CUBE



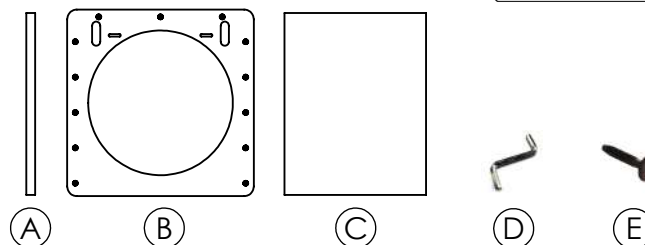
INSTRUCTIONS FOR ASSEMBLY,
MAINTENANCE AND SAFE USE.

MADE IN LATVIA

KateHaa SIA
Annas st.18, Ikskile,
Ogre reg., Latvia, LV-5052
Email: info@katehaa.com
www.katehaa.com



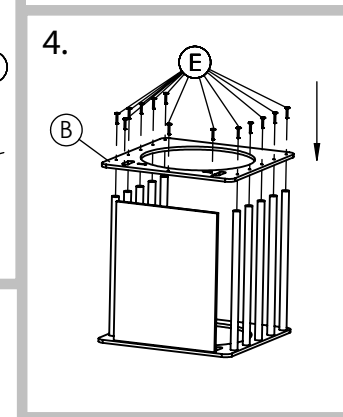
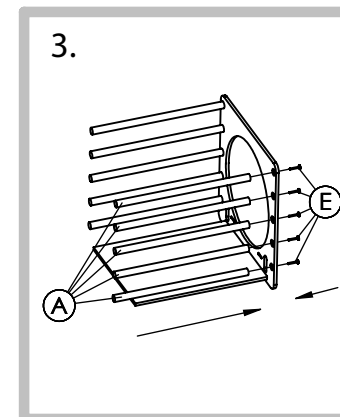
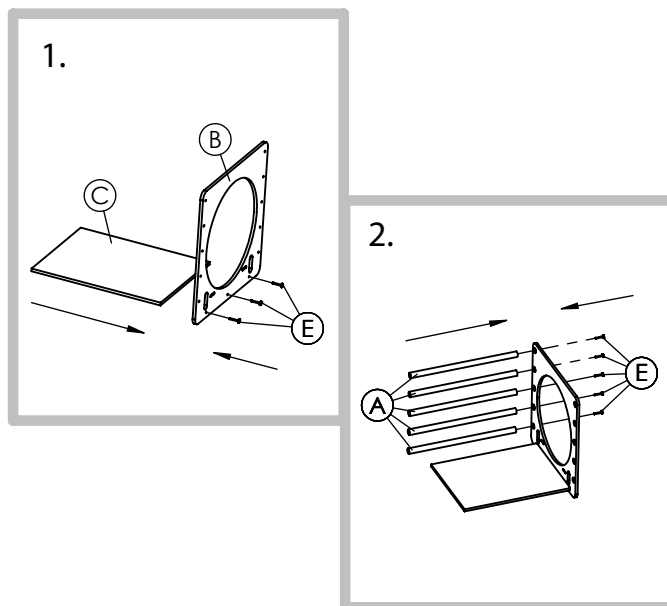
The package contains:



- A - WOODEN BARS (X10)
- B - OPEN SIDES (X2)
- C - CENTER PLATFORM (X1)
- D - ALLEN KEY (X1)
- E - FLAT HEAD SCREWS (X26)

**ADULT
ASSEMBLY
REQUIRED**

For assembling please follow these steps:



- Note:
- Use ALLEN KEY (D) to screw the SCREWS (E) into the predrilled holes.
 - Use your hand to hold the WOODEN BARS (A) during assembling.
 - WOODEN BARS (A) are not allowed to constantly turn around during assembling.
 - For easier assembly we recommend to split the 4th step in steps 4.1. and 4.2. At first (4.1.) screw in all the SCREWS (E) till half. Just at the second step (4.2.) tighten them completely.

Thank you!

FOLLOW US ON:



*KateHaa SIA protects it's unique designs worldwide
with patents and design registrations.*

