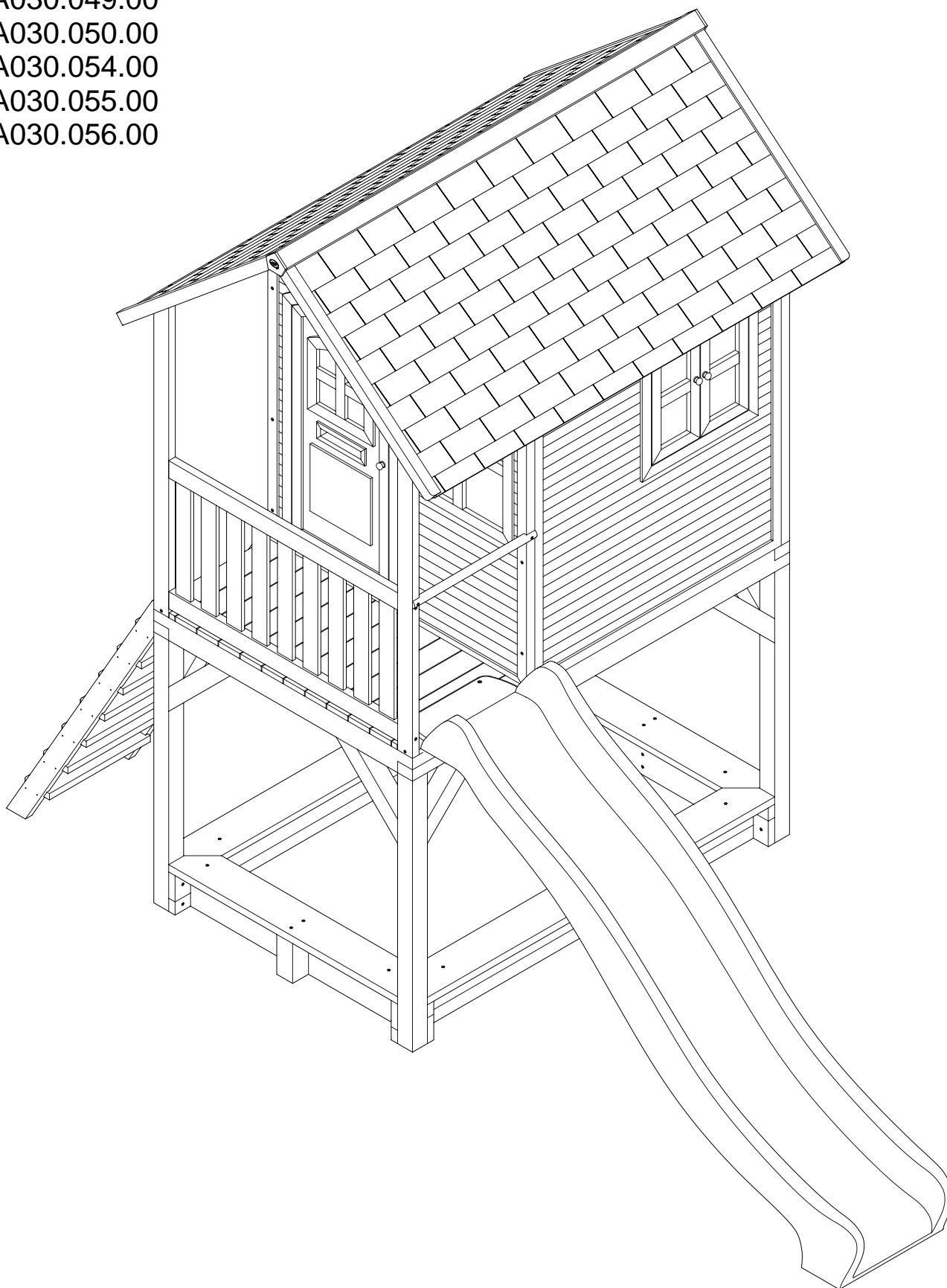
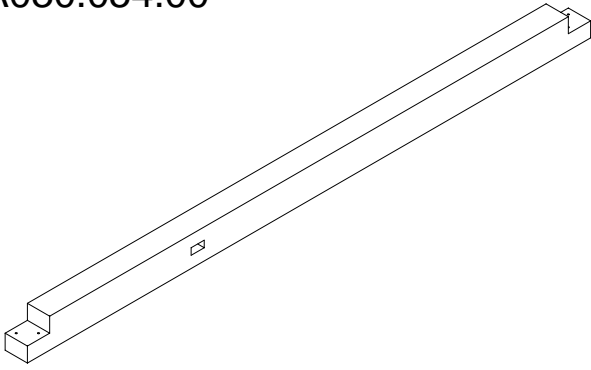


- A030.033.00
- A030.046.00
- A030.047.00
- A030.049.00
- A030.050.00
- A030.054.00
- A030.055.00
- A030.056.00

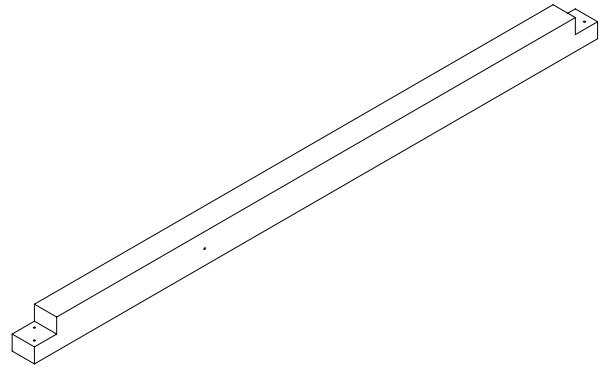




A030.054.00



2



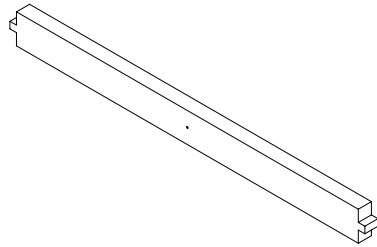
3



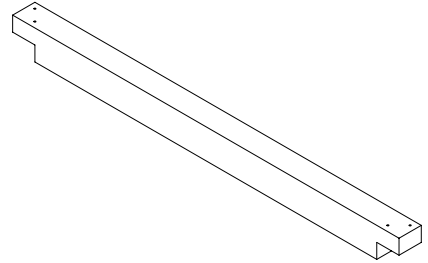
1

4x

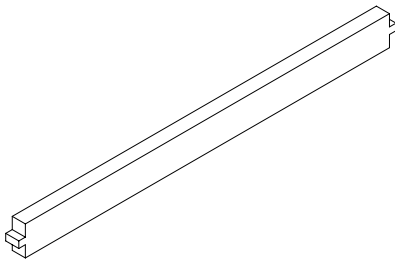
4



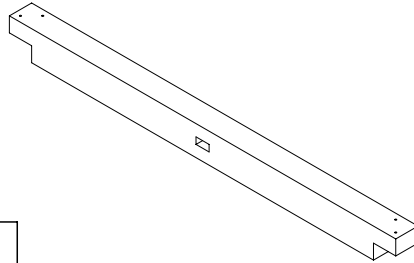
5



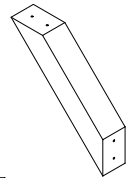
6



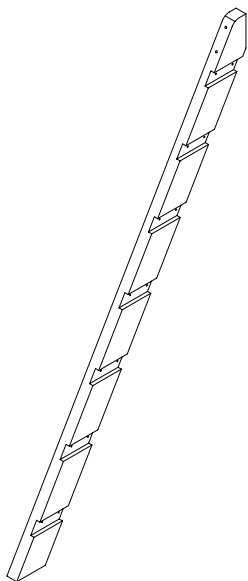
7



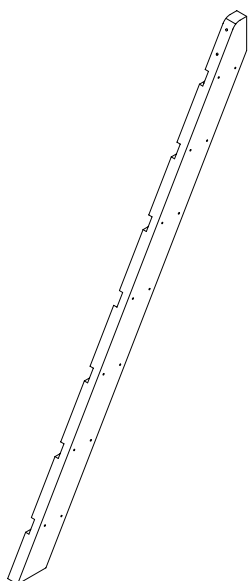
8



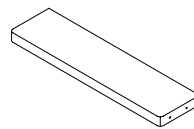
8x



27



28

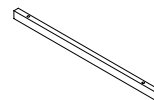
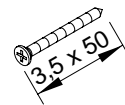


29

7x

s1

36x

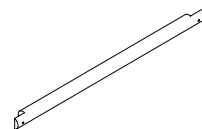
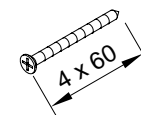


30

sx

s2

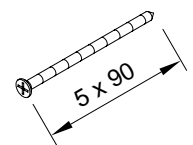
34x



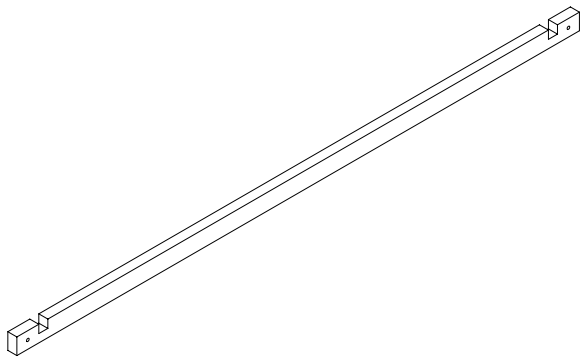
31

s5

24x

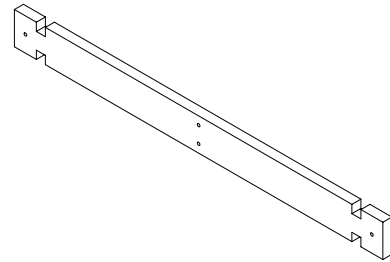


A030.055.00



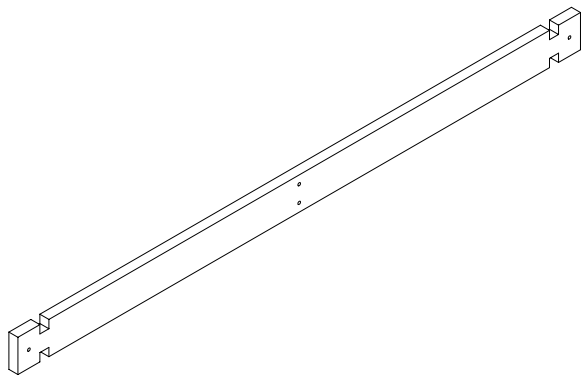
9

2x



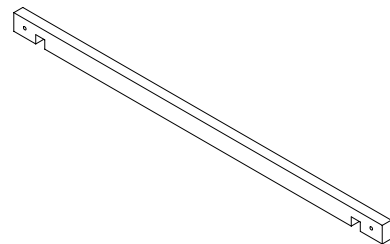
10

2x



11

2x



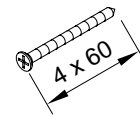
12

2x



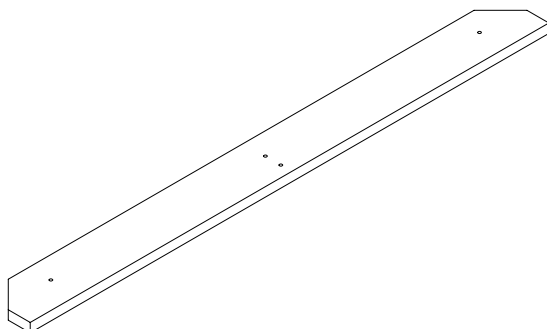
13

4x



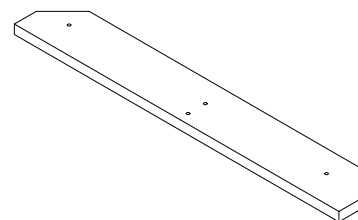
s2

40x



14

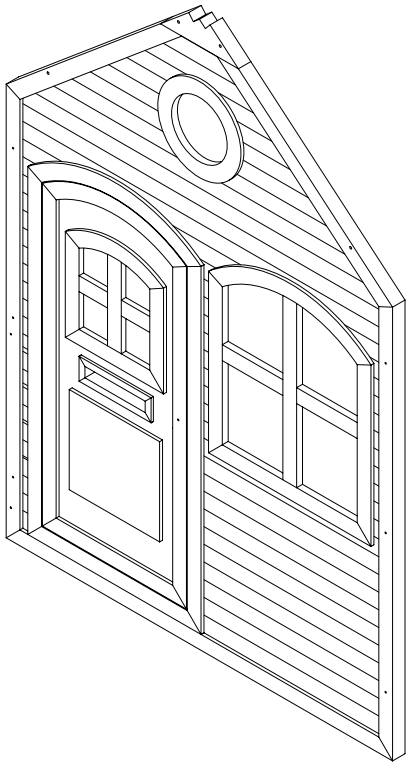
2x



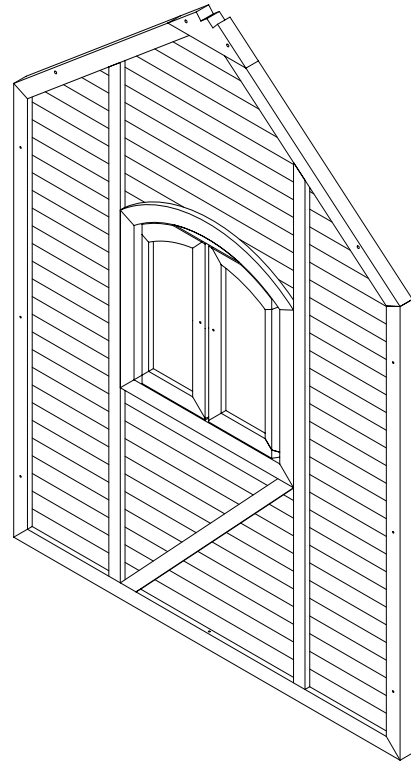
15

2x

A030.046.00



16



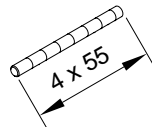
18



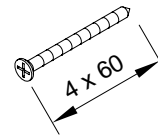
19

14x

t1



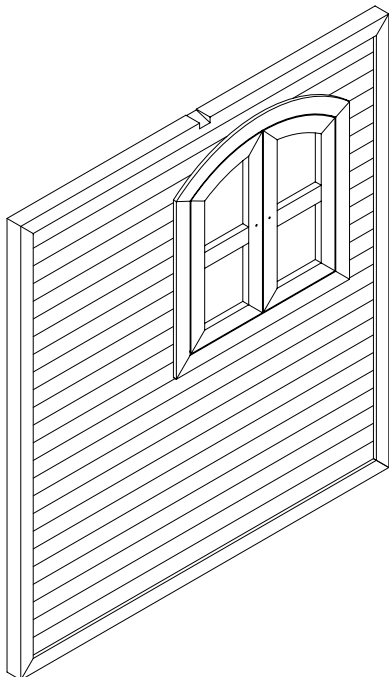
7x



16x

s2

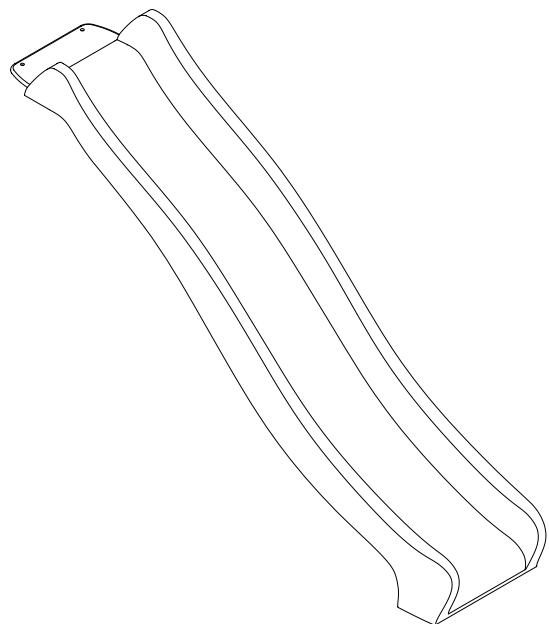
A030.047.00



17

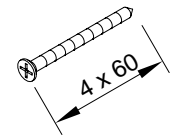
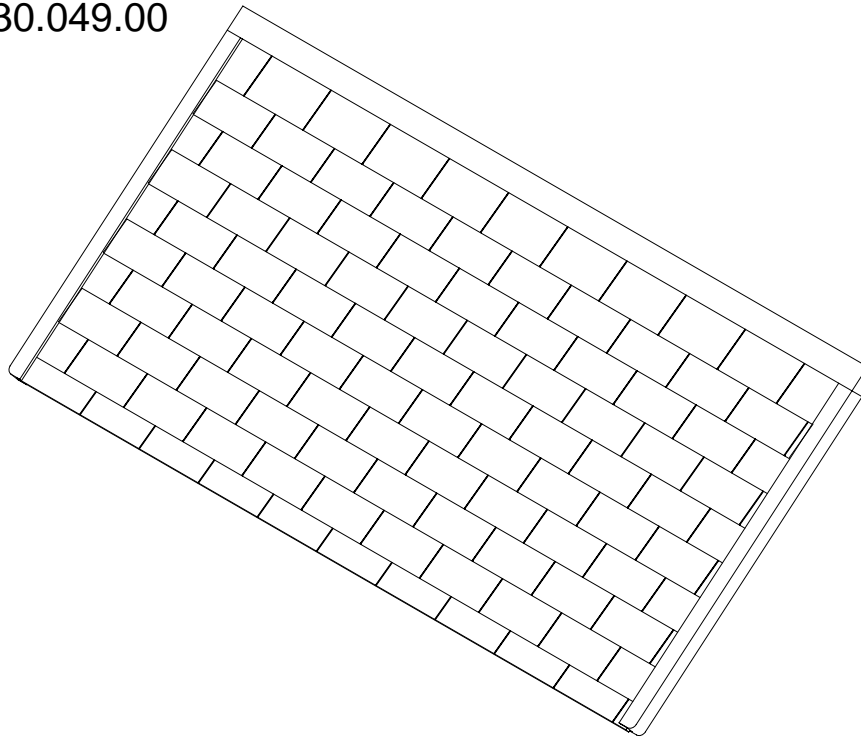
2x

A030.033.00



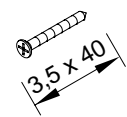
32

A030.049.00



s2

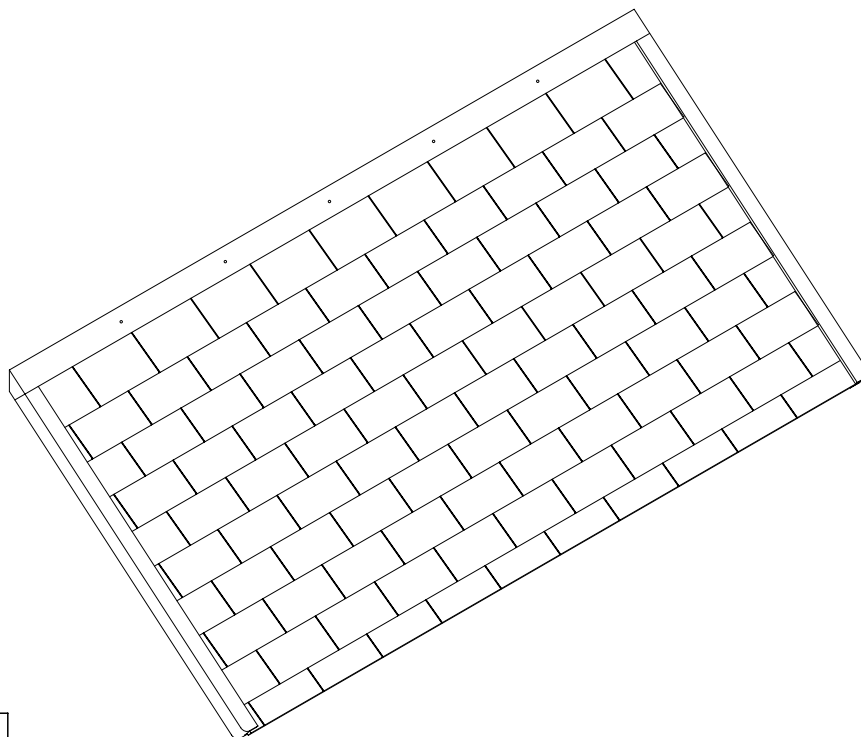
8x



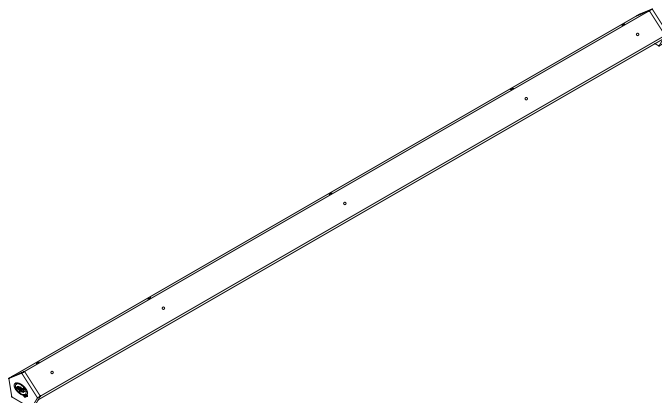
s3

15x


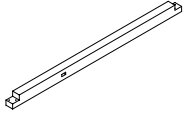
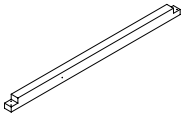
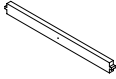
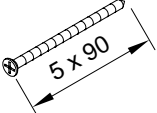
22



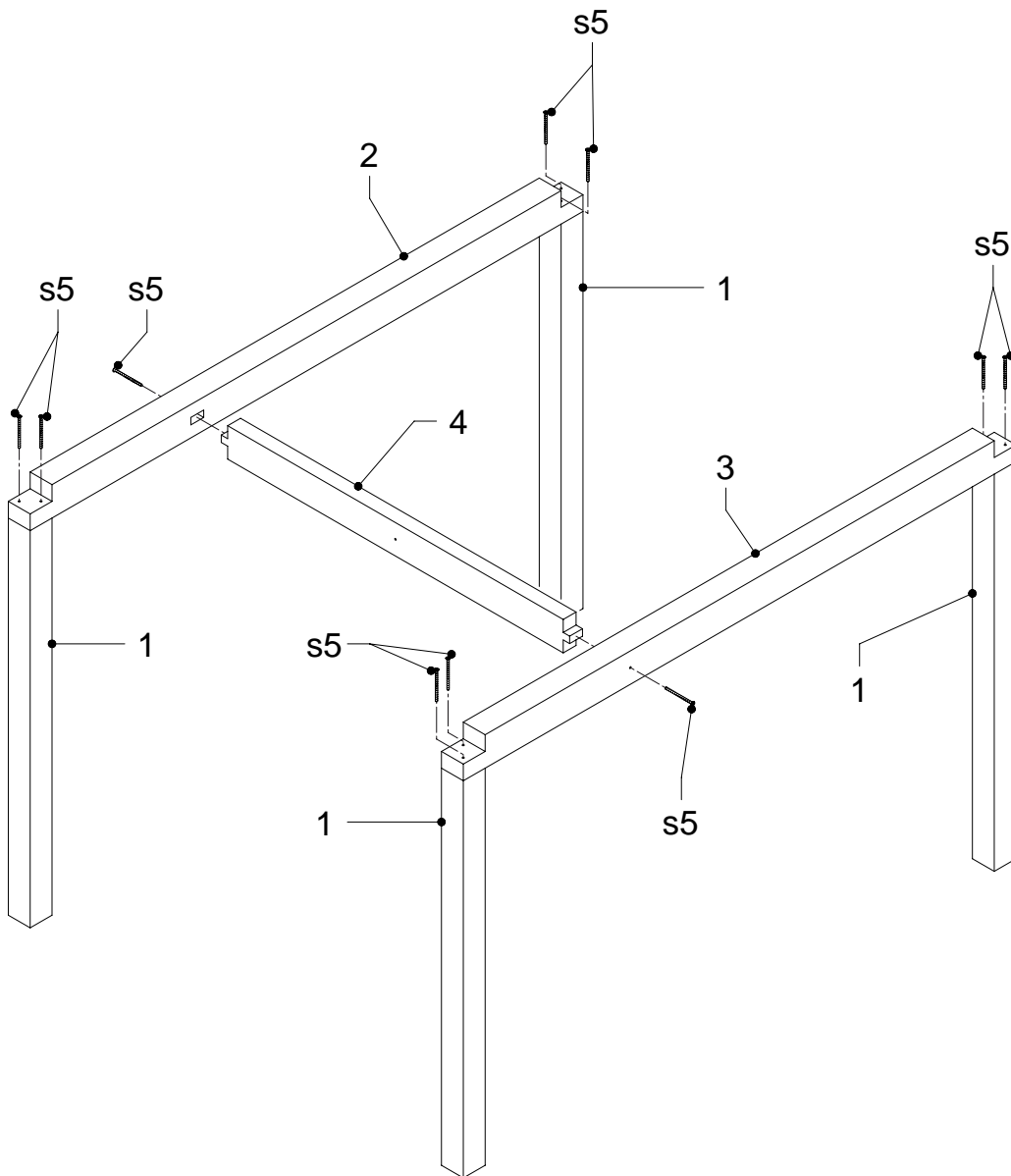
23



24

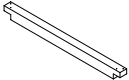

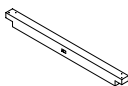

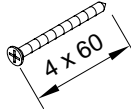
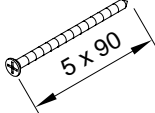
|   |   |   |   |   |    |     |
|---|---|---|---|---|----|-----|
|  |  |  |  |  |    |     |
| 1   | 4x  | 2   | 3   | 4   | s5 | 10x |

A030.054.00

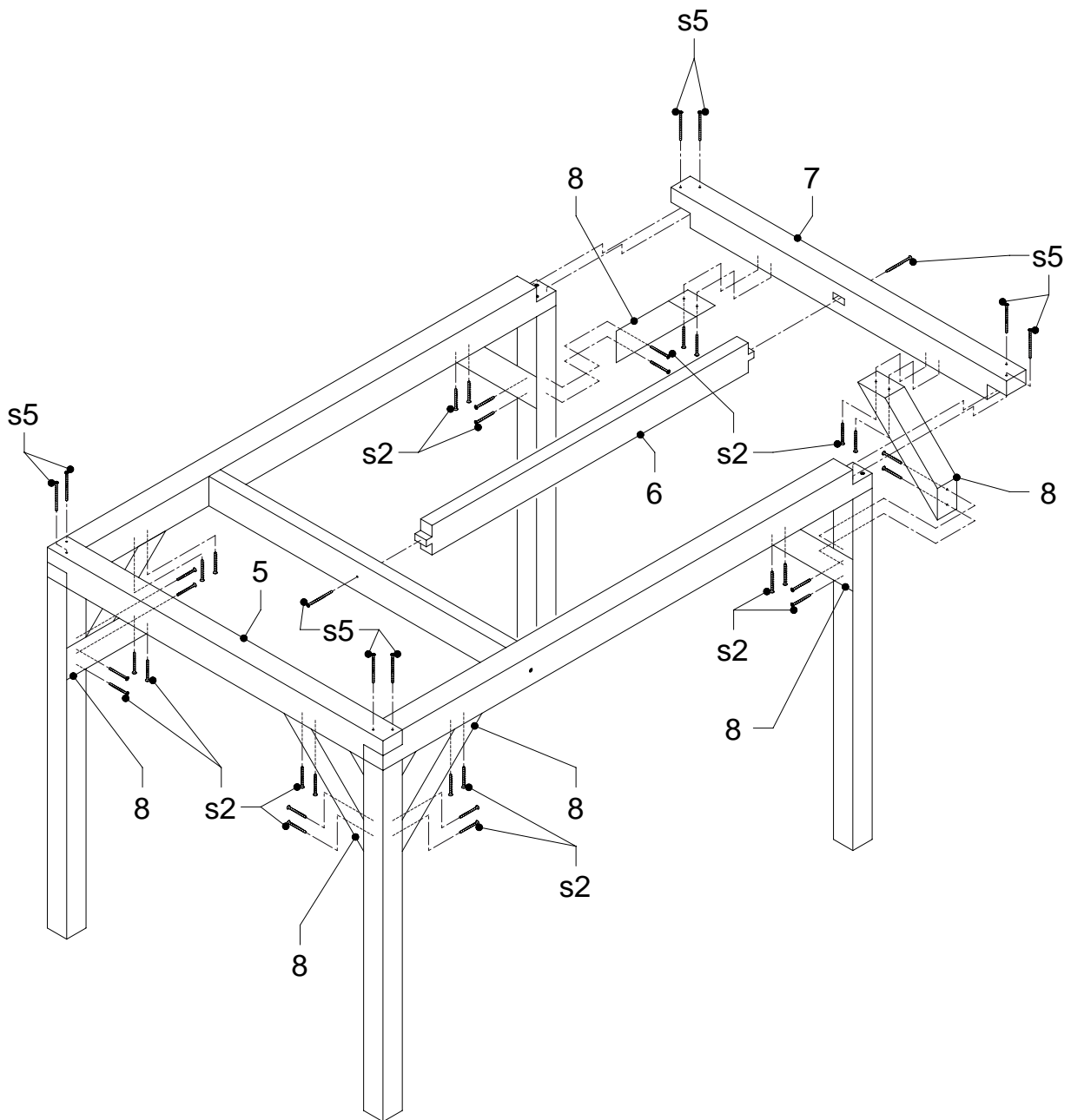




# Sarah

|   |   |   |   |   |   |        |
|---|---|---|---|---|---|--------|
|  |  |  |  |  |  |        |
| 5   | 6   | 7   | 8   | 8x s2   | 32x s5  | 10x s5 |

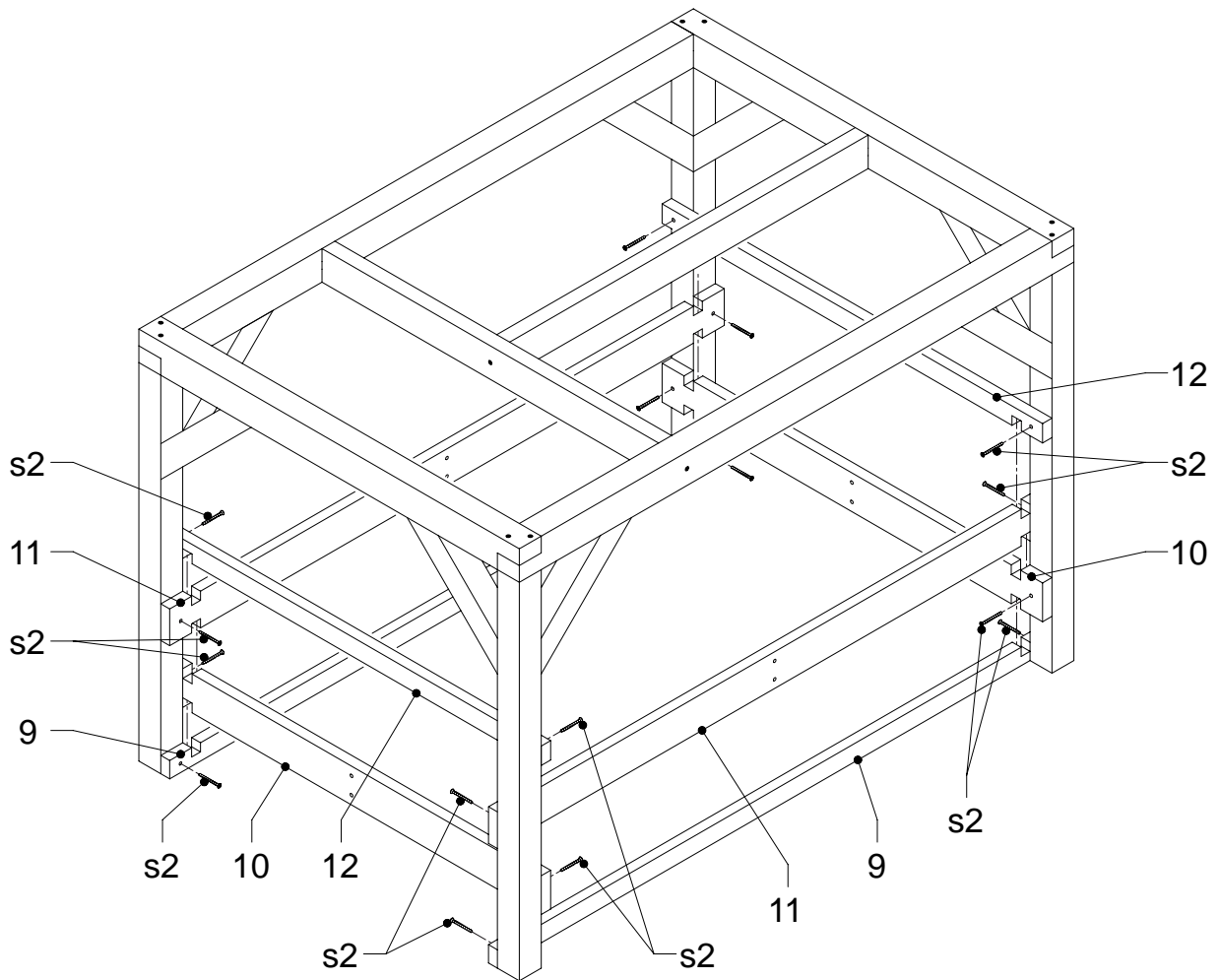
A030.054.00





|  |    |  |    |  |    |  |    |  |     |
|--|----|--|----|--|----|--|----|--|-----|
|  | 2x |  | 2x |  | 2x |  | 2x |  | 16x |
|--|----|--|----|--|----|--|----|--|-----|

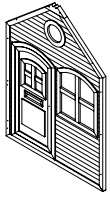
A030.055.00



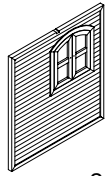




# Sarah

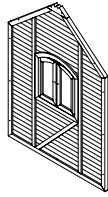


16



17

2x

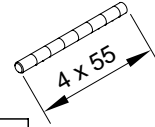


18



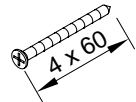
19

14x



t1

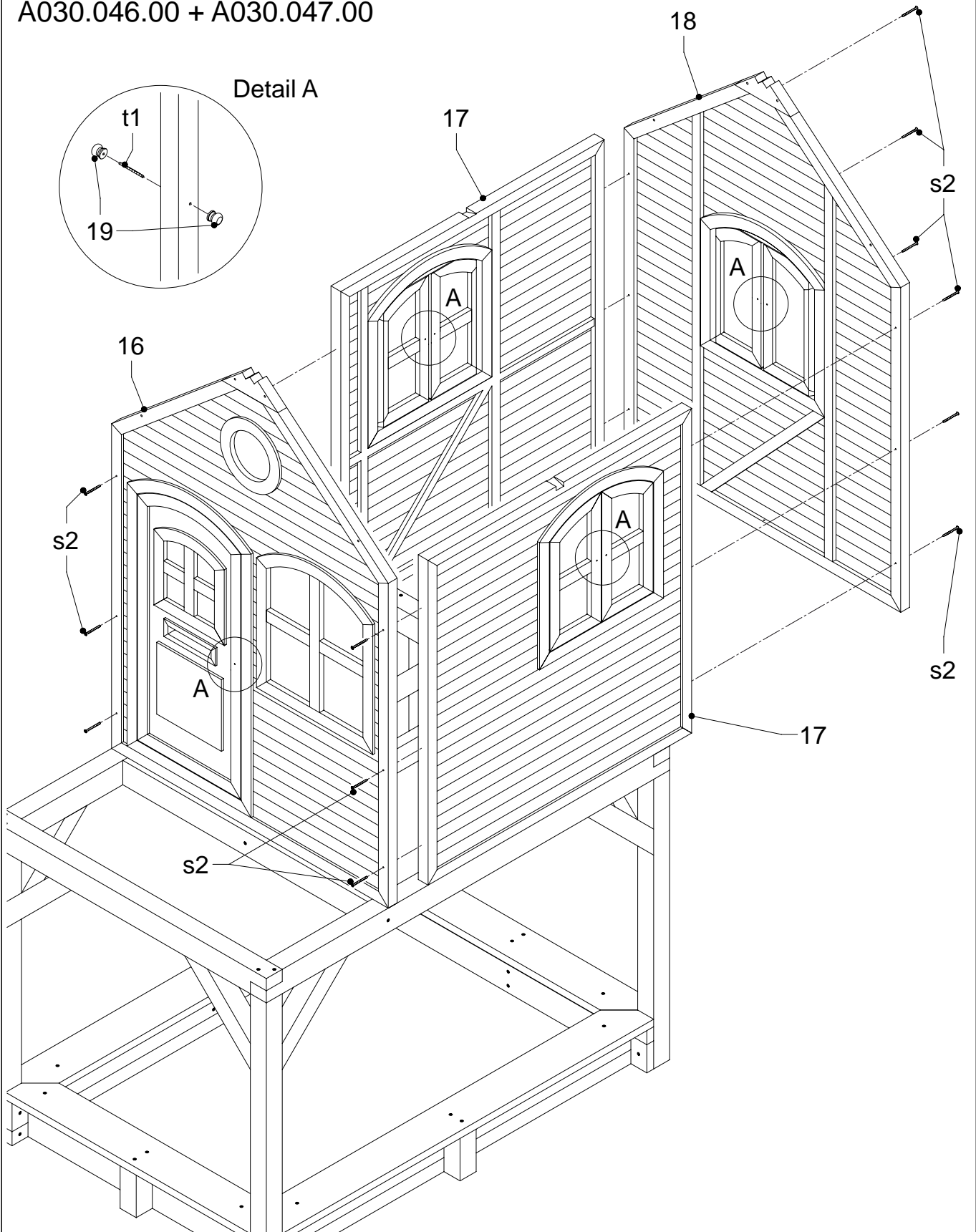
7x

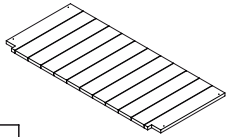


s2

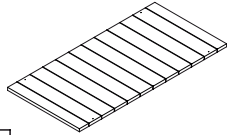
12x

A030.046.00 + A030.047.00





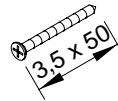
20



21

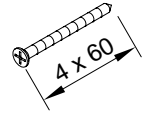
2x

s1



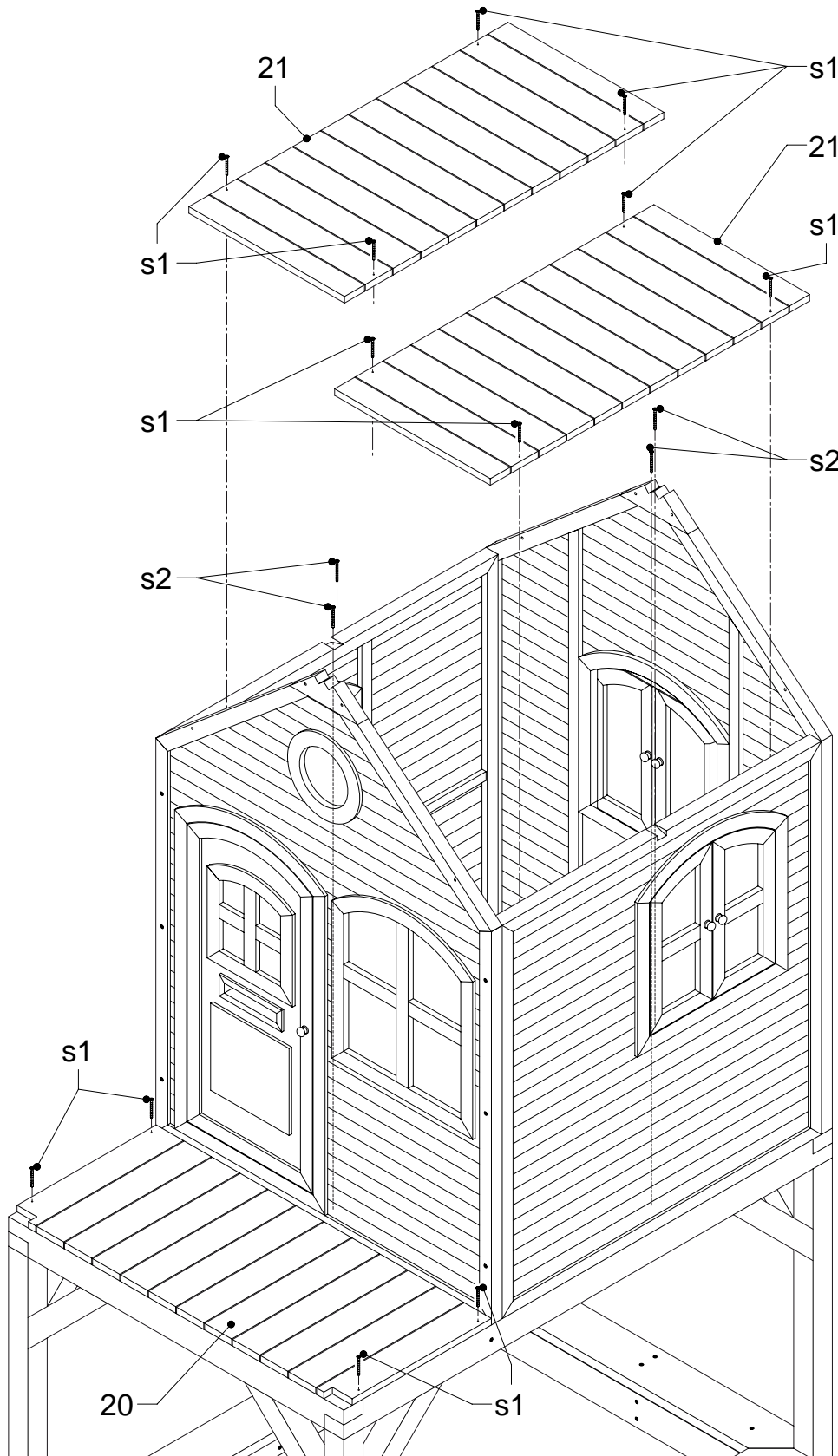
12x

s2



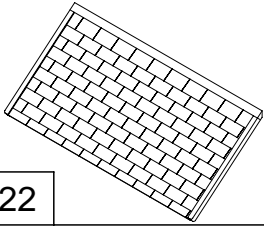
4x

A030.050.00

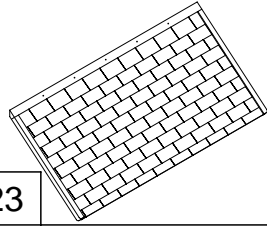




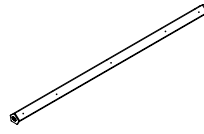
# Sarah



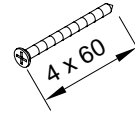
22



23



24



s2

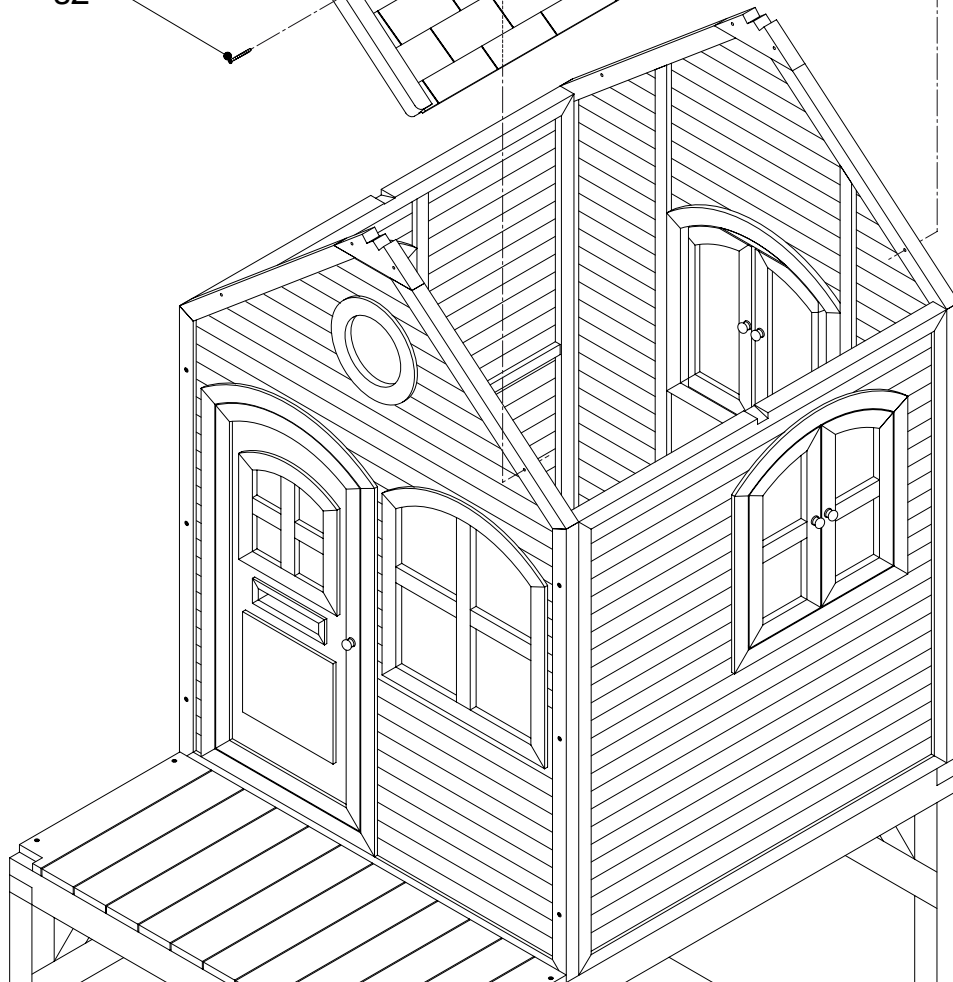
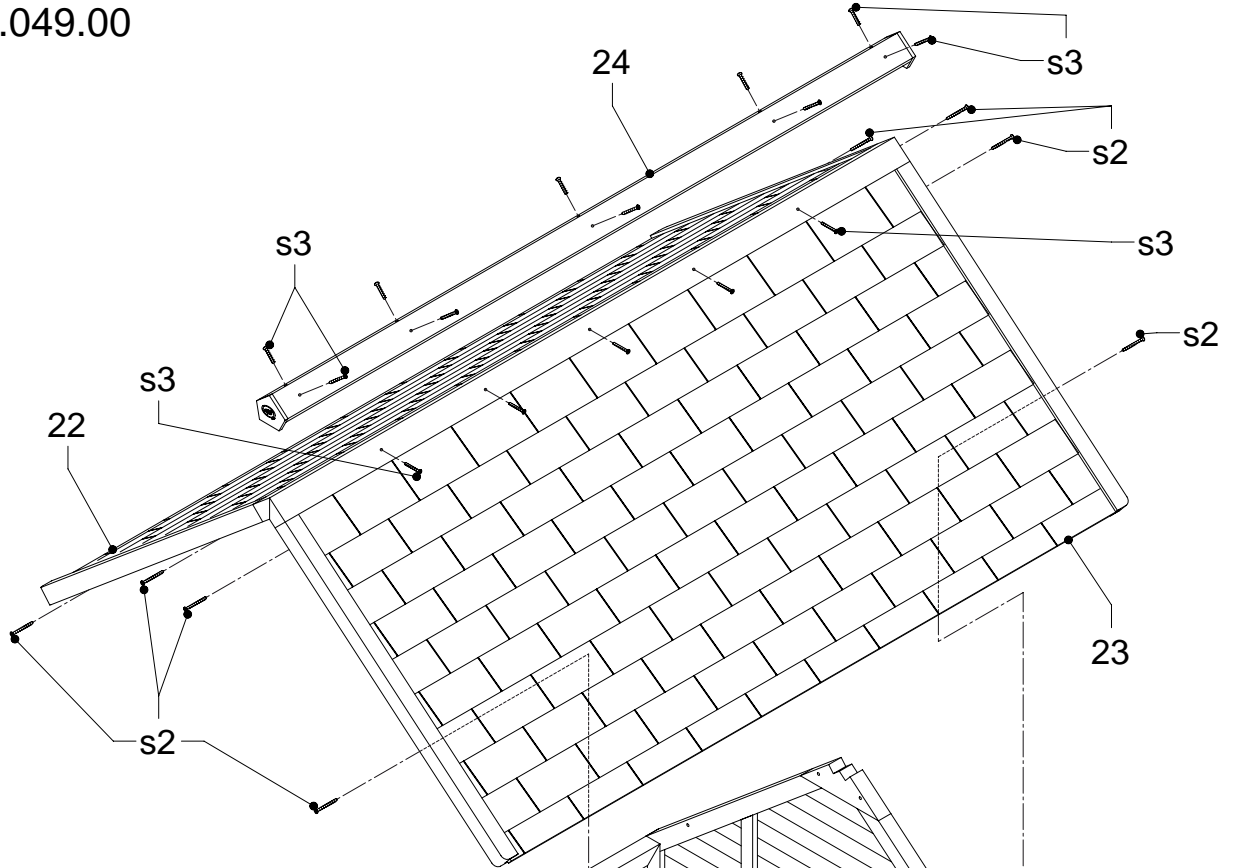
8x


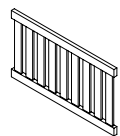
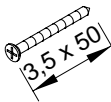
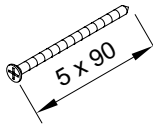
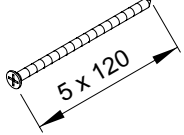


s3

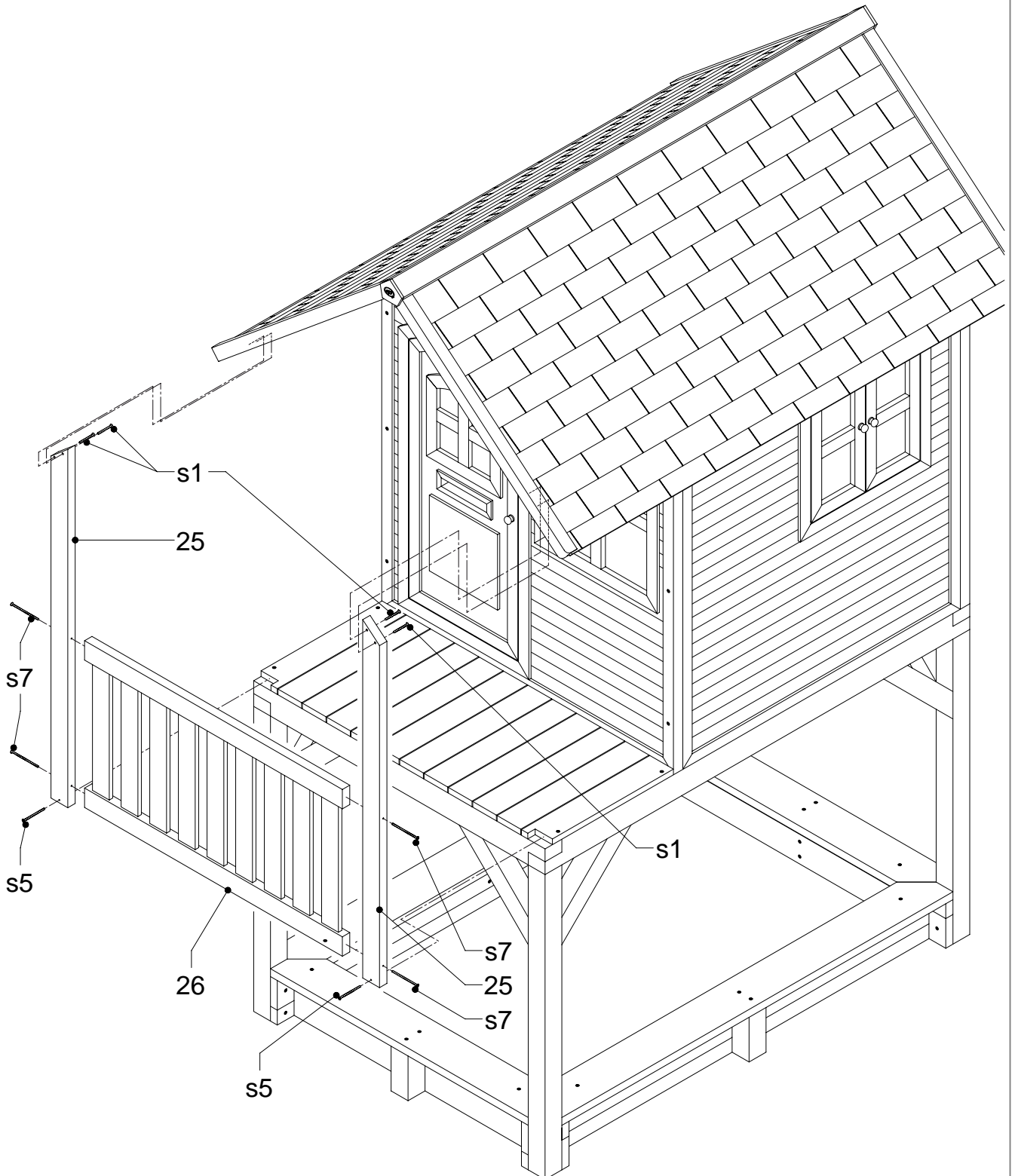
15x

A030.049.00



|   |   |   |   |   |    |
|---|---|---|---|---|----|
|  |  |  |  |  |    |
| 25  | 2x 26   | s1  | 4x s5   | 2x s7   | 4x |

A030.050.00





# Sarah

|    |    |          |          |    |    |           |          |          |
|----|----|----------|----------|----|----|-----------|----------|----------|
|    |    |          |          |    |    |           |          |          |
| 27 | 28 | 29<br>7x | 30<br>3x | 31 | 32 | s1<br>36x | s2<br>2x | s5<br>4x |

A030.033.00 + A030.054.00

