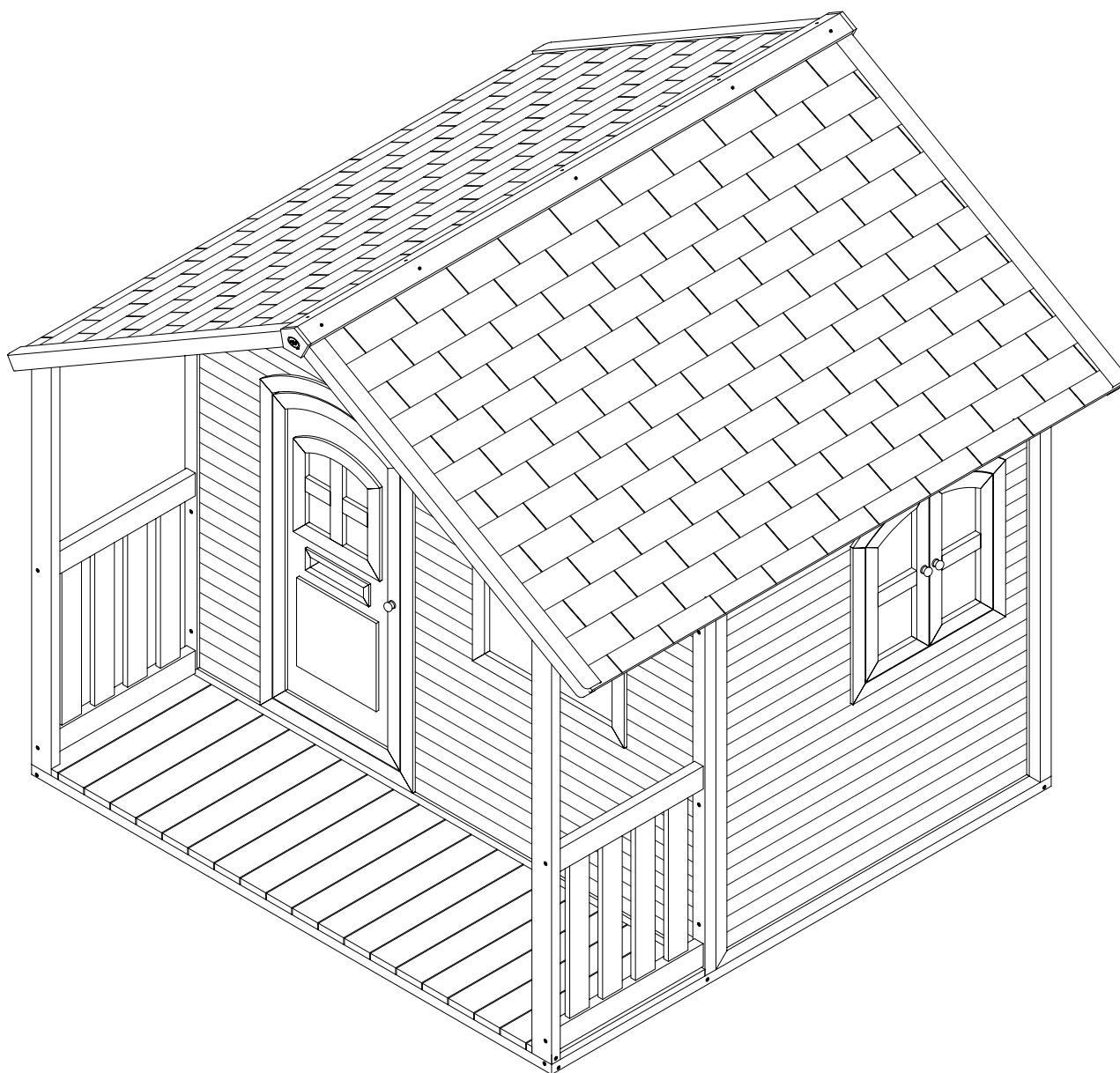
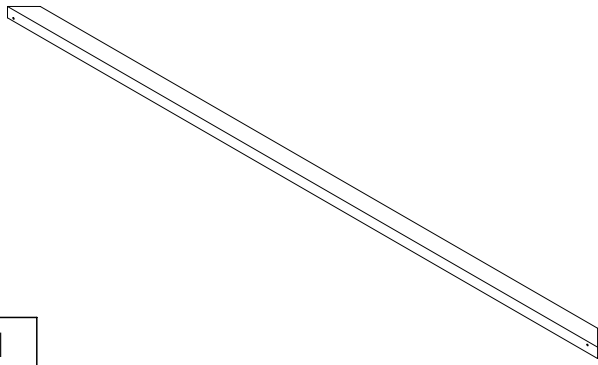


A030.047.00
A030.057.00
A030.058.00
A030.059.00
A030.110.00

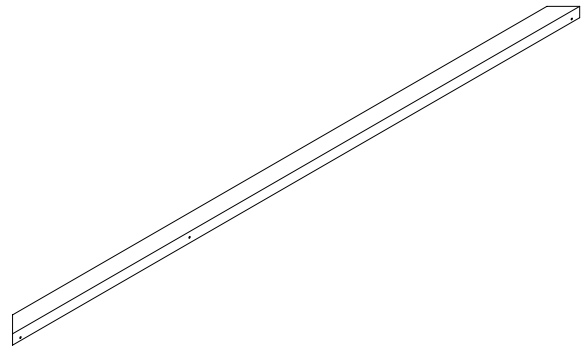




A030.110.00

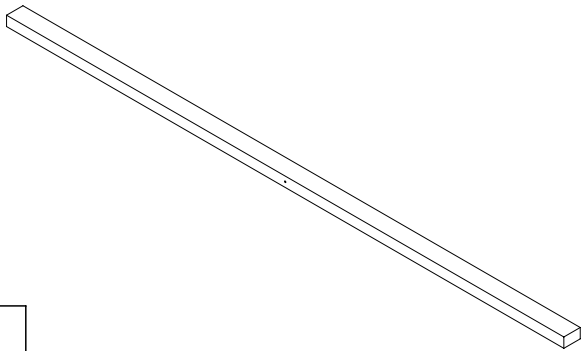


1

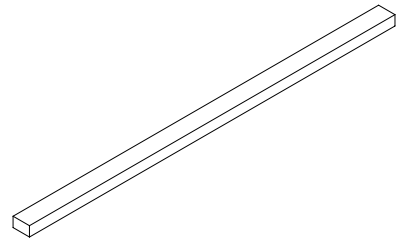


2

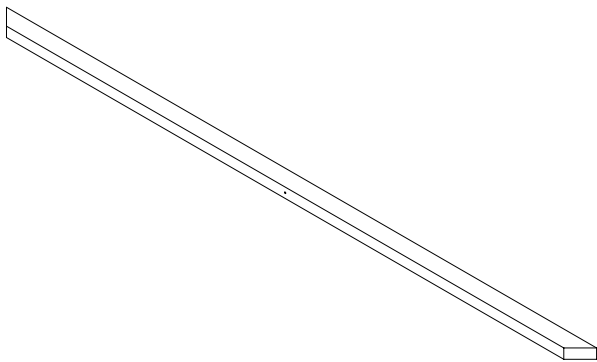
2x



3



4

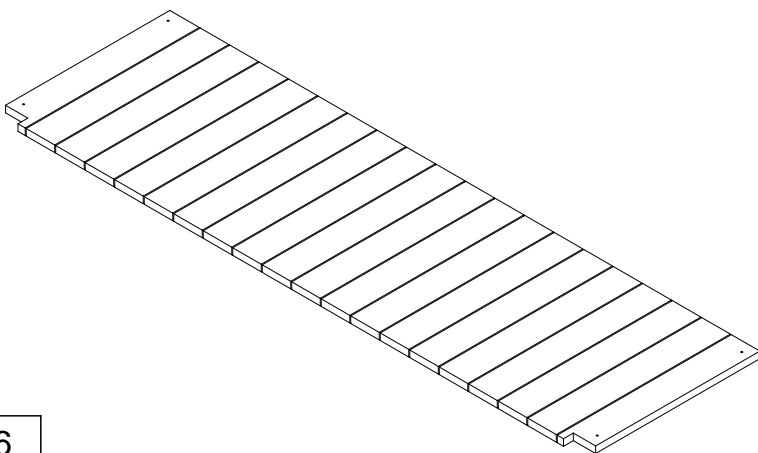


5

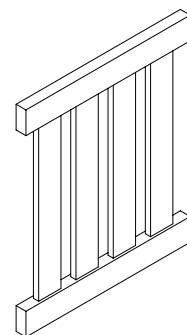


8

2x

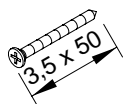


6



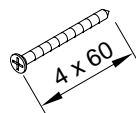
9

2x



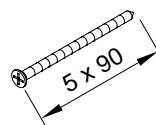
s1

4x



s2

16x

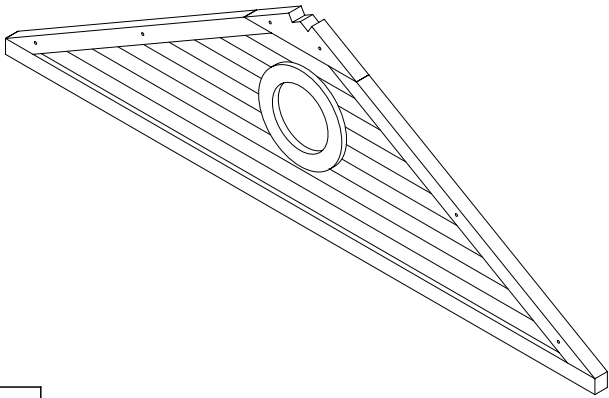


s5

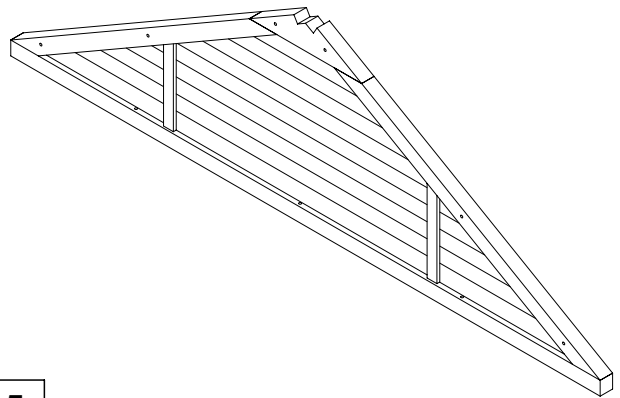
6x



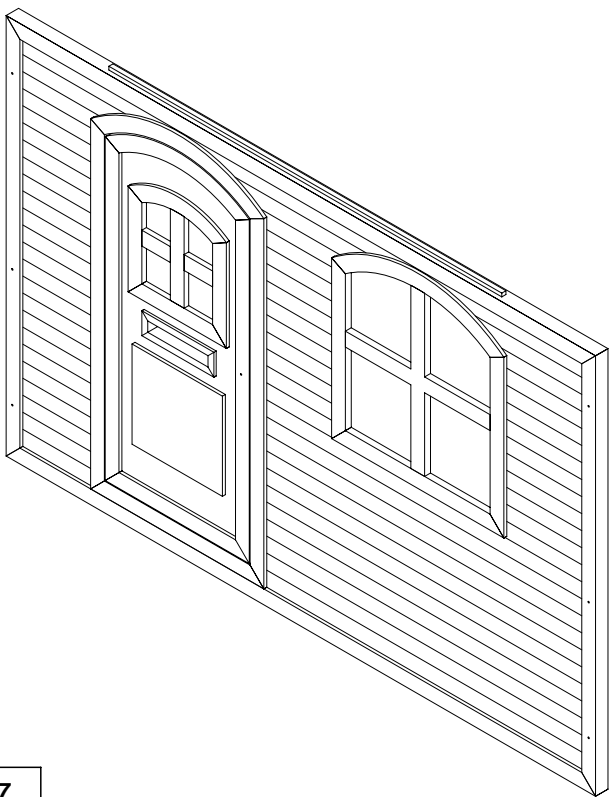
A030.057.00



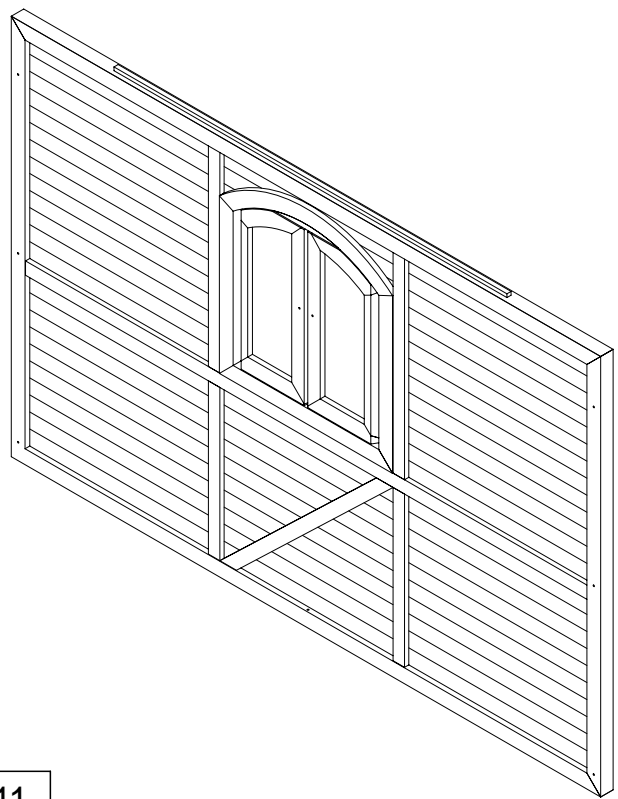
14



15



7



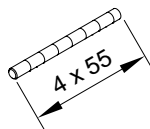
11



12

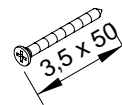
14x

t1



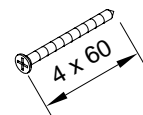
7x

s1



25x

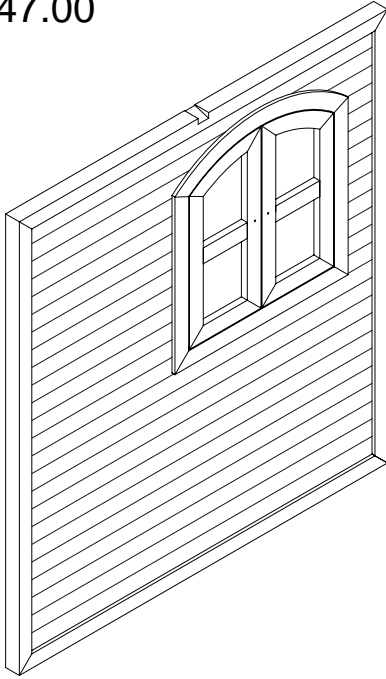
s2



34x



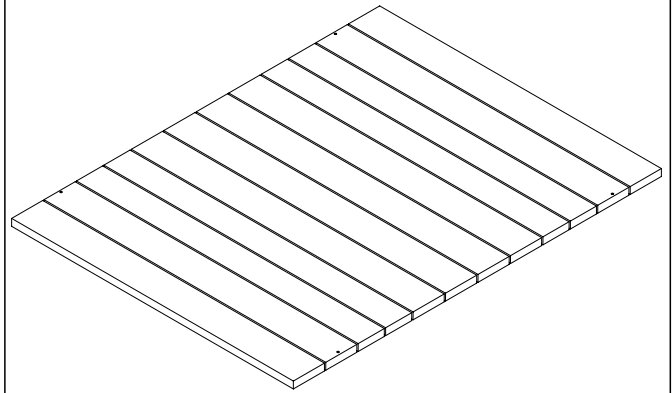
A030.047.00



10

2x

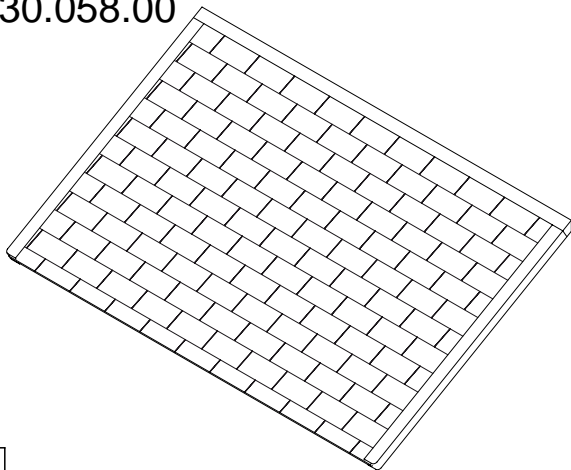
A030.059.00



13

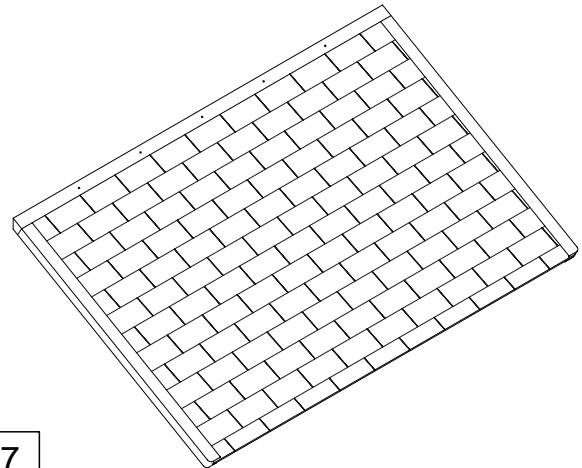
2x

A030.058.00

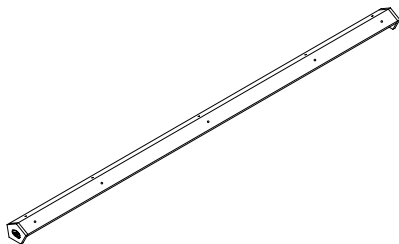


16

17

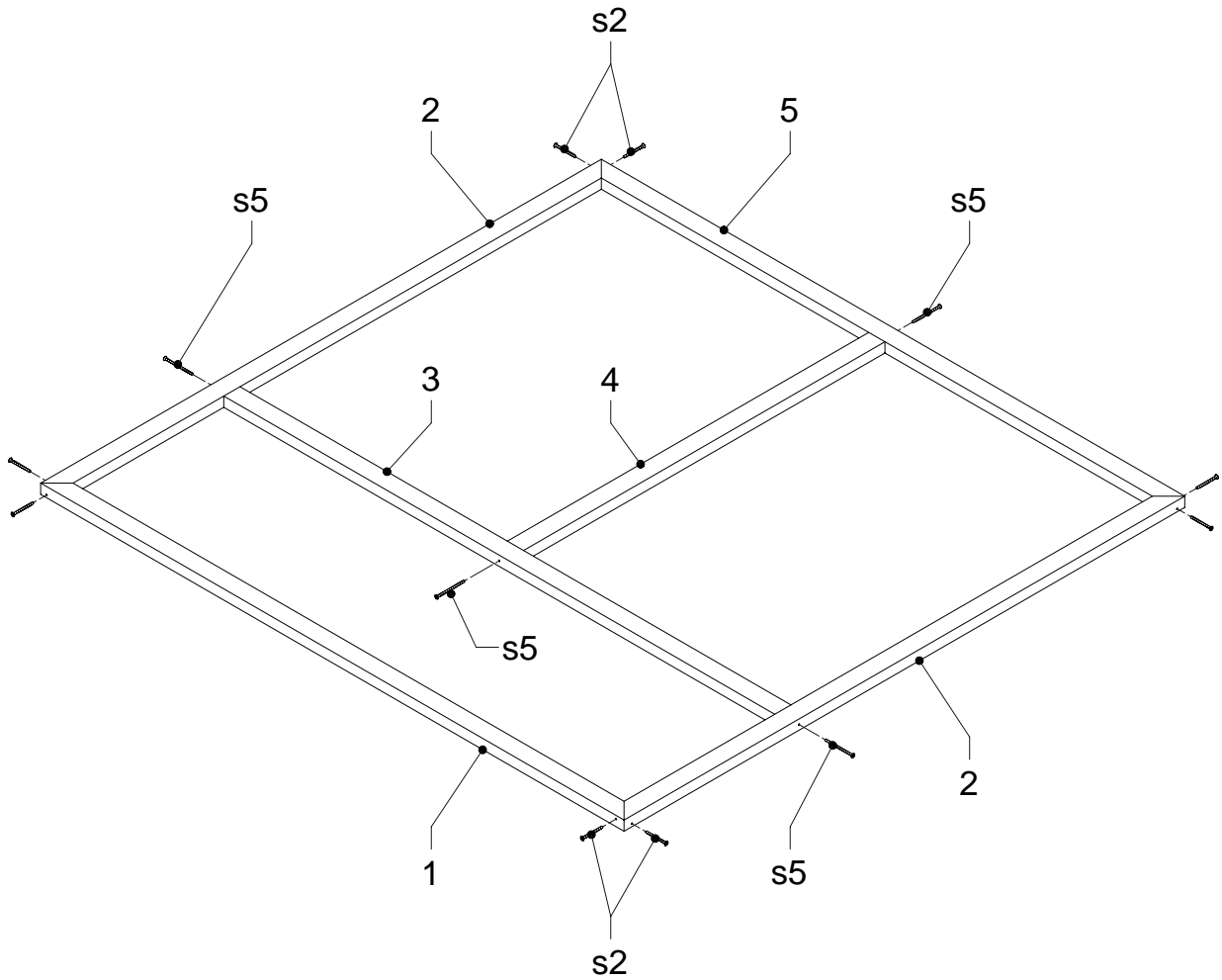


18



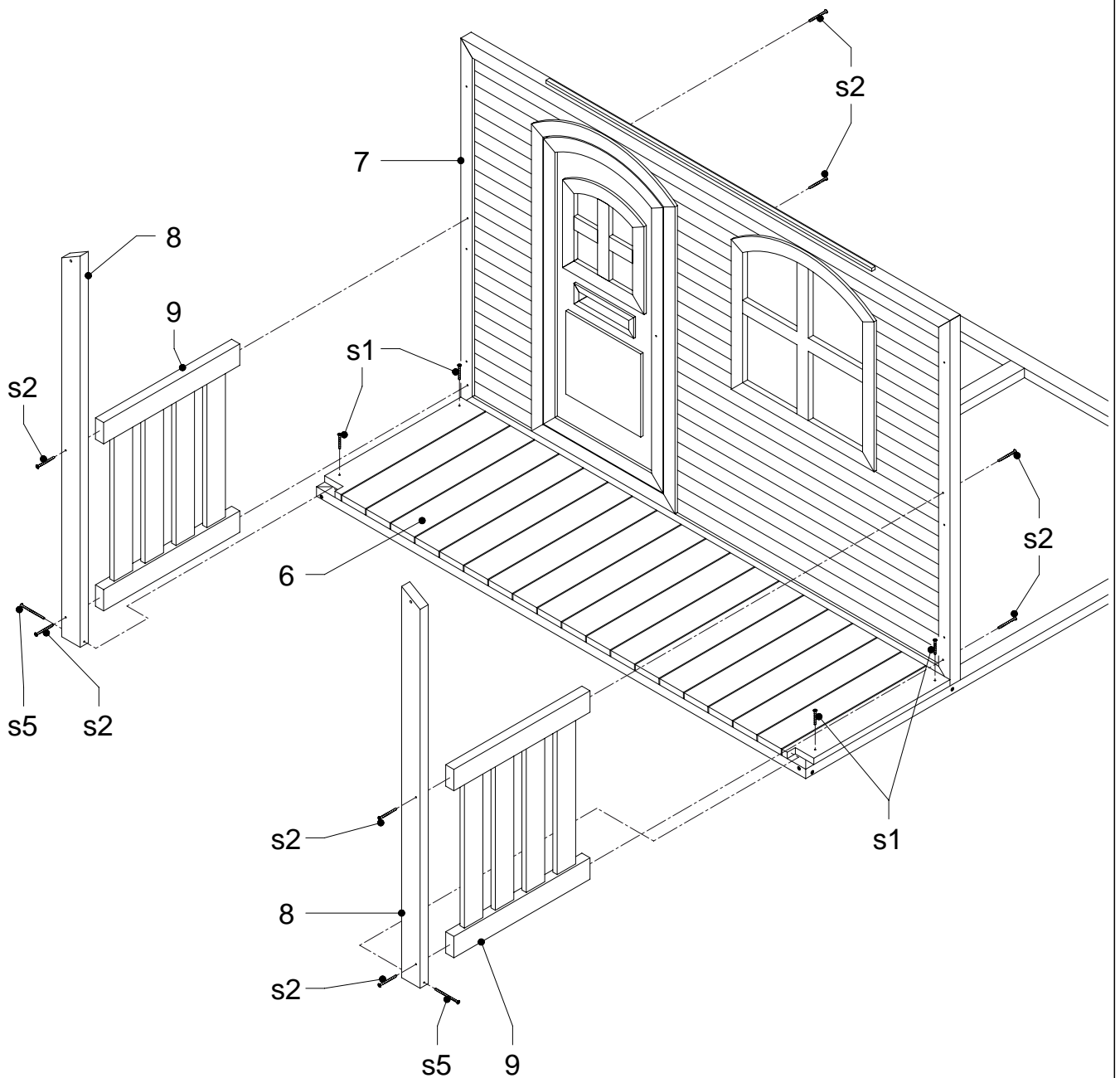
1	2	2x	3	4	5
					8x
					4x

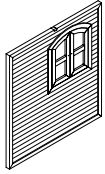
A030.110.00



6	7	8	2x	9	2x	s1	4x	s2	8x	s5	2x

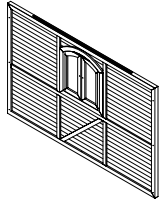
A030.057.00 + A030.110.00





10

2x

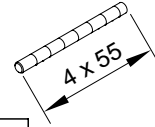


11



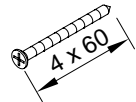
12

14x



t1

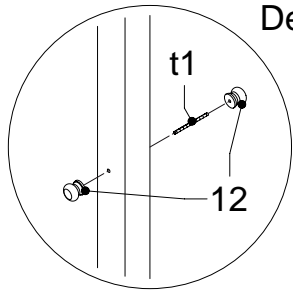
7x



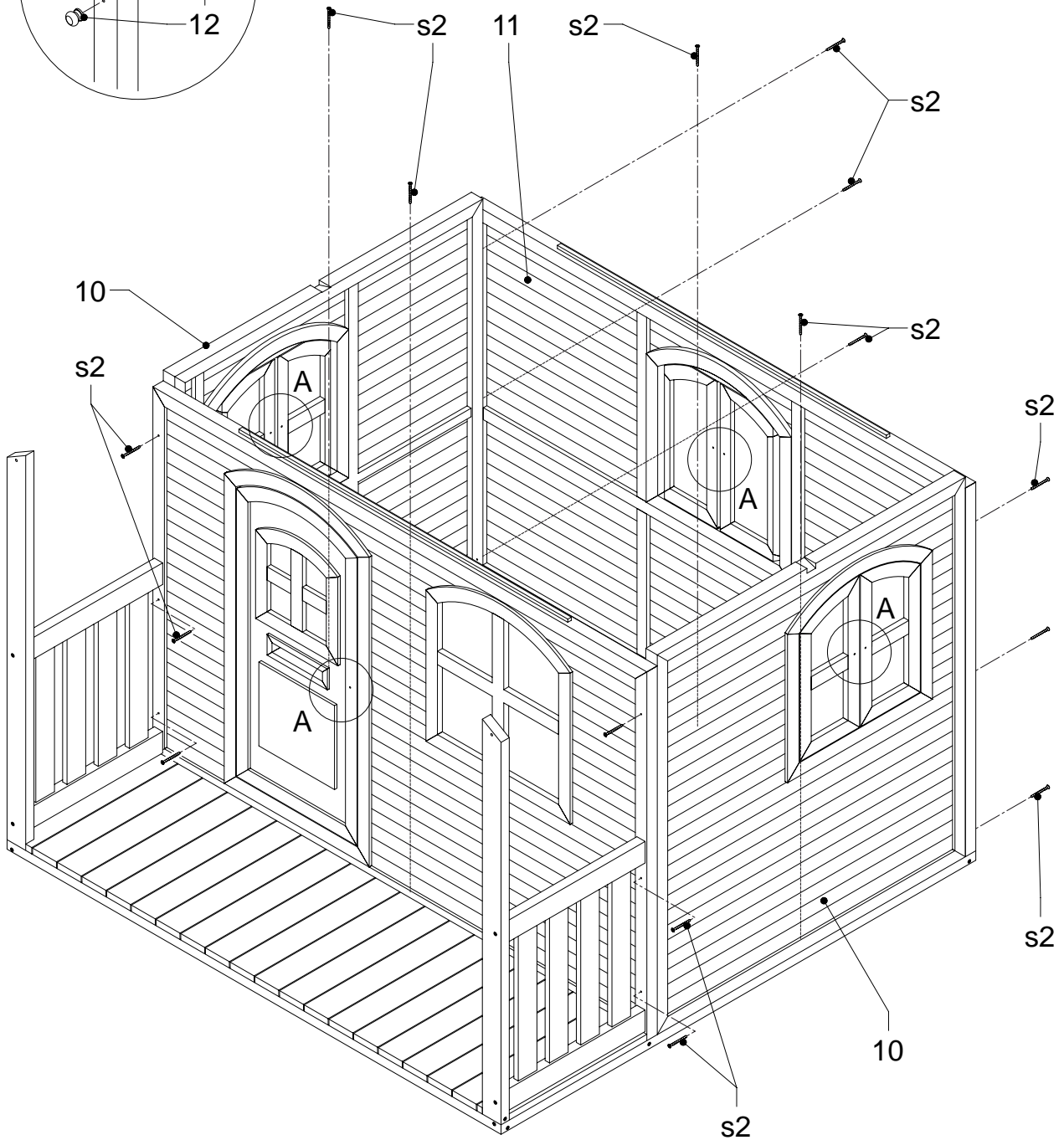
s2

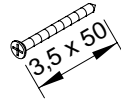
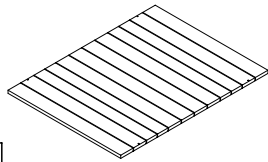
16x

A030.047.00 + A030.057.00



Detail A





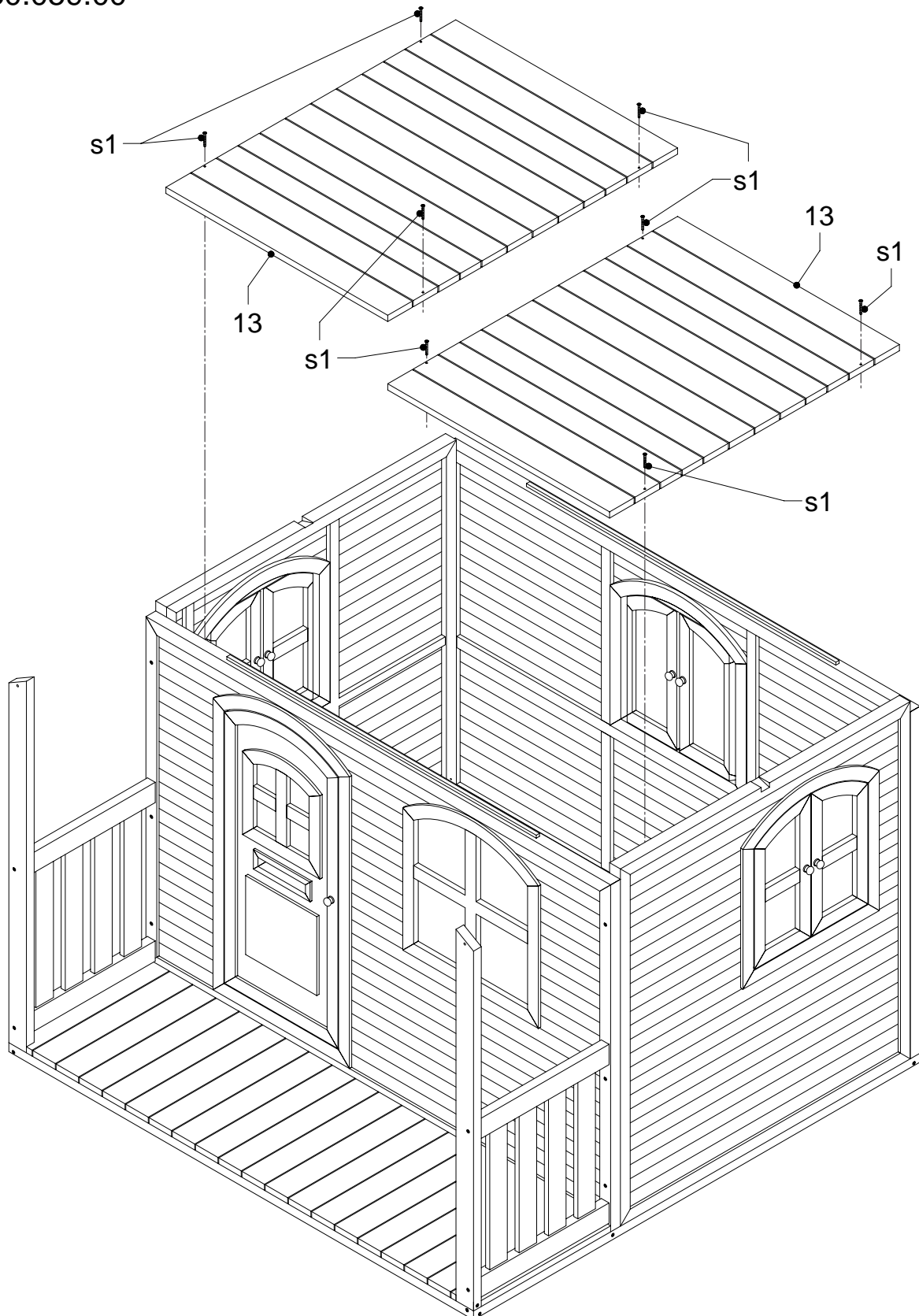
13

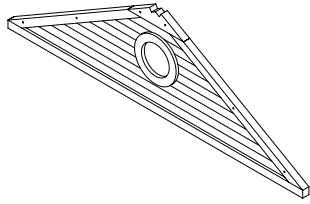
2x

s1

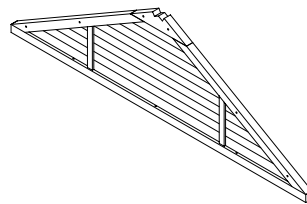
8x

A030.059.00

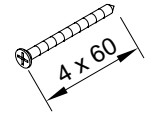




14



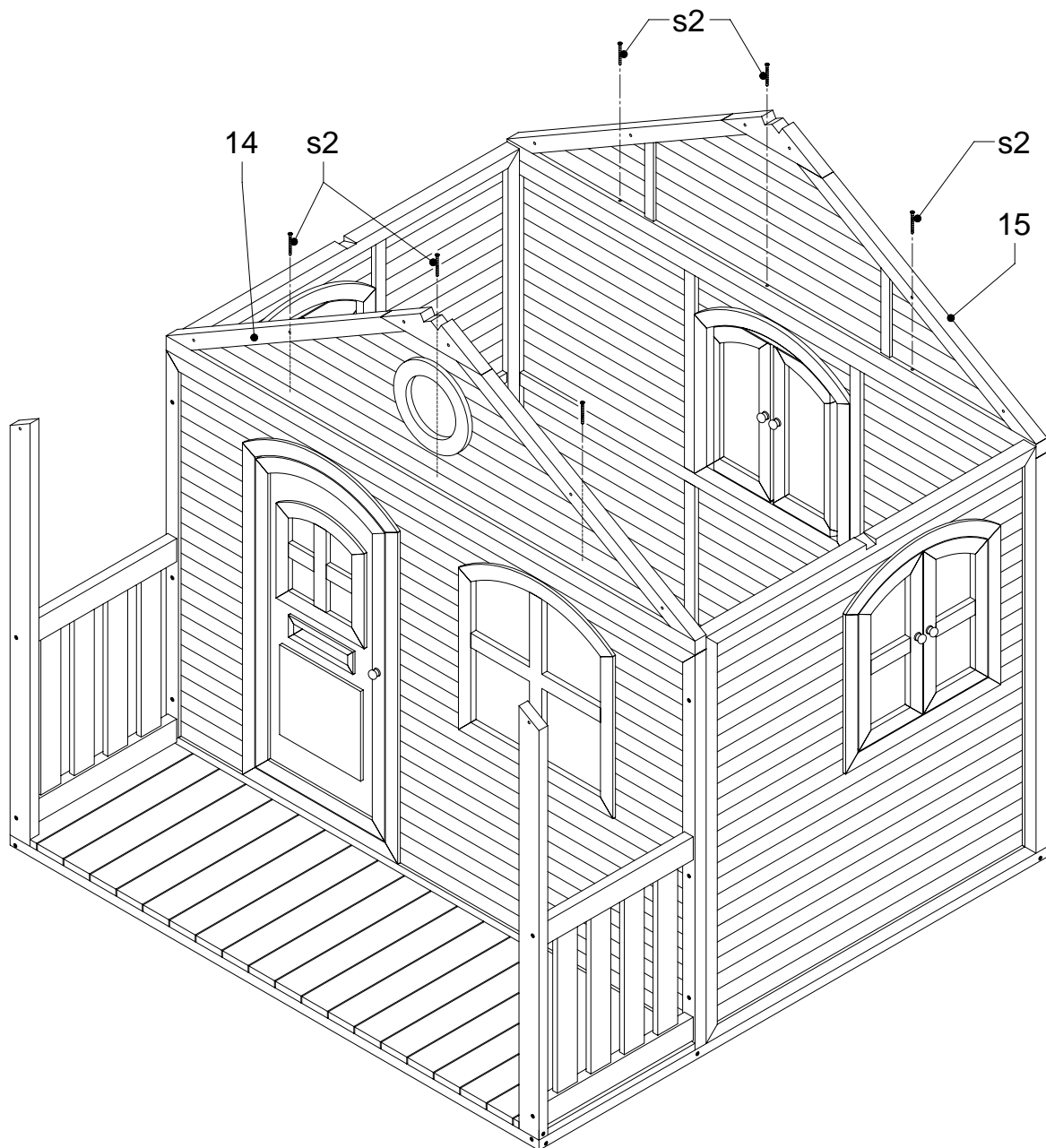
15

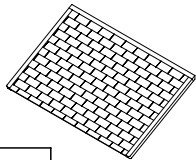


s2

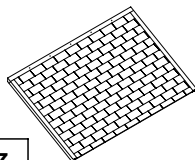
6x

A030.057.00

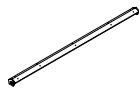




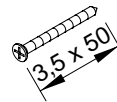
16



17

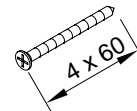


18



s1

17x



s2

12x

A030.058.00

