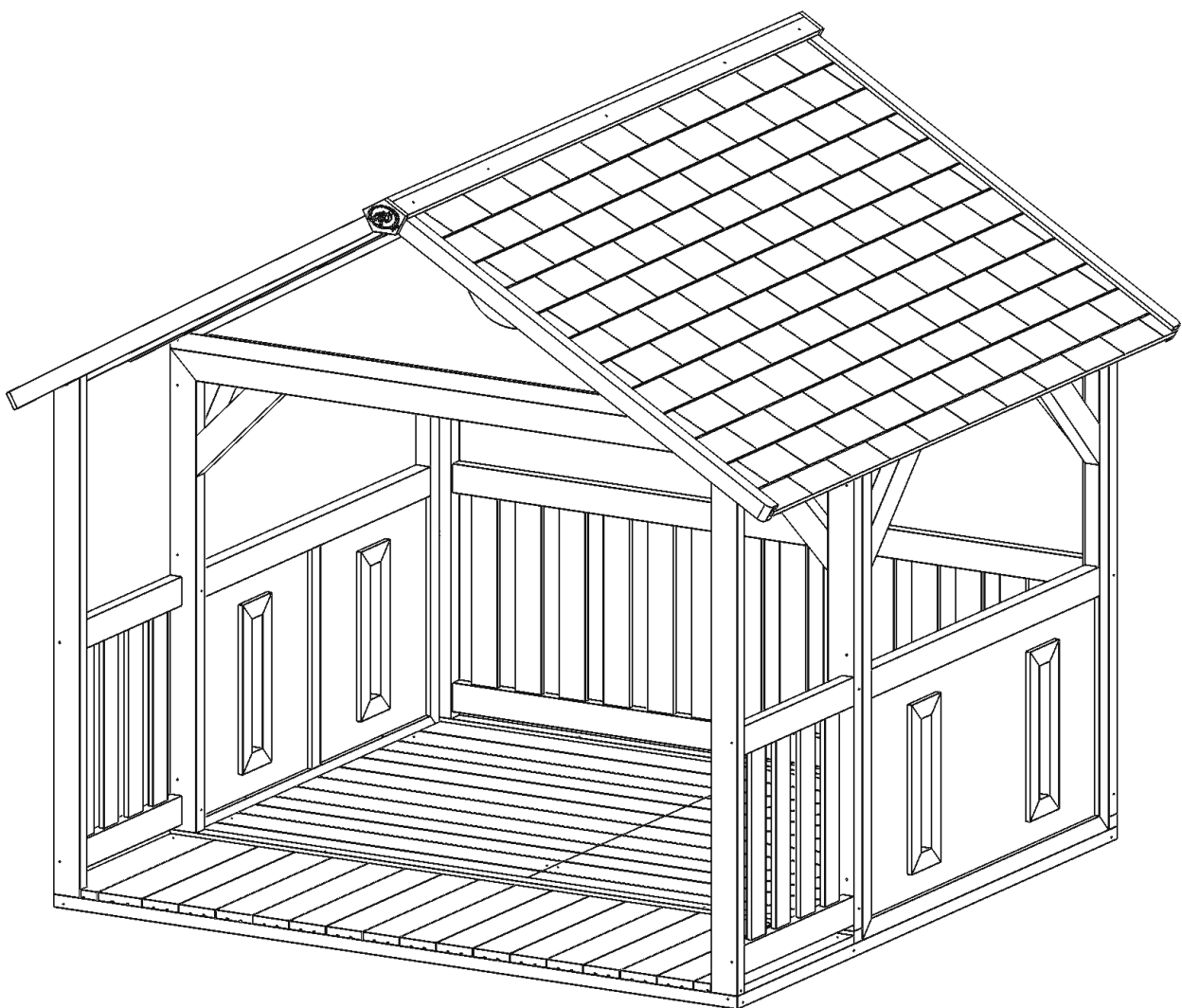
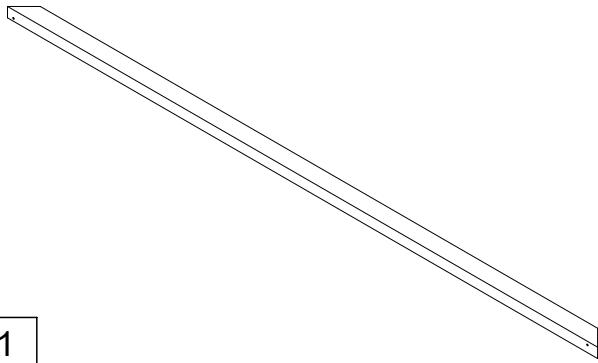


A030.058.00  
A030.059.00  
A030.110.00  
A030.164.00  
A030.165.00

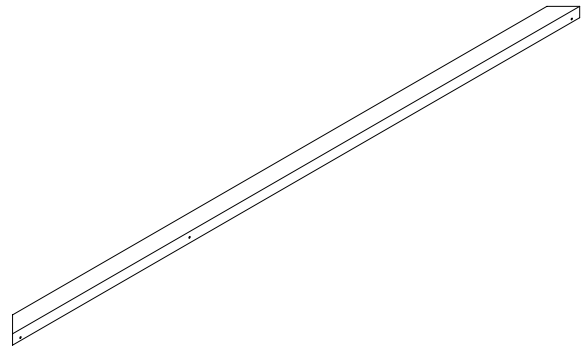




A030.110.00

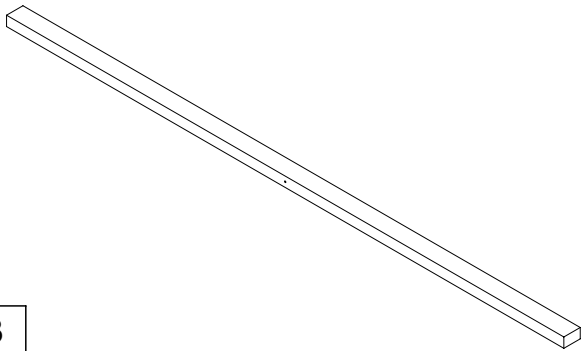


51

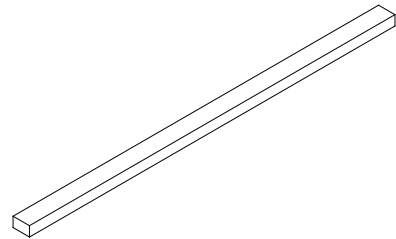


52

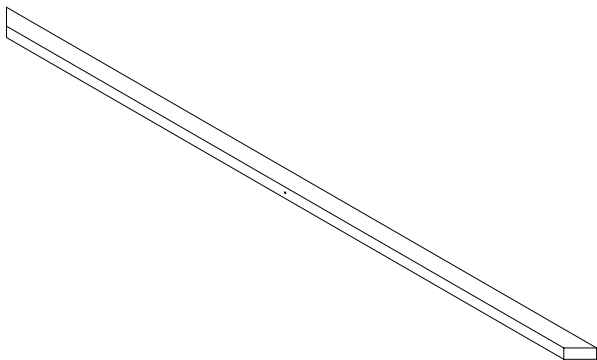
2x



53



54

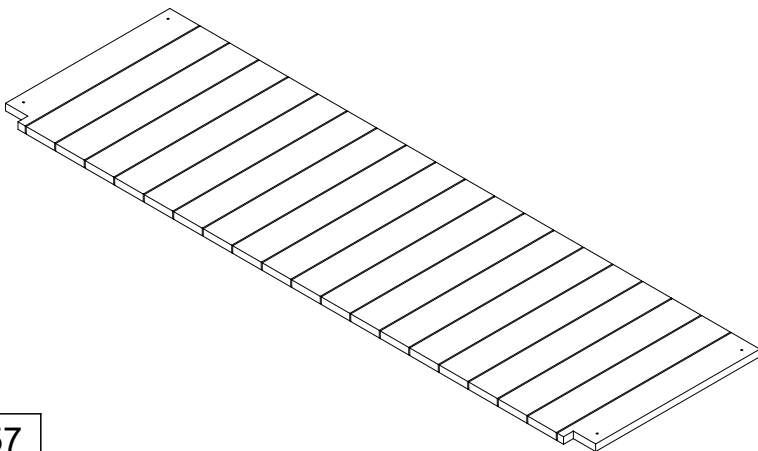


55

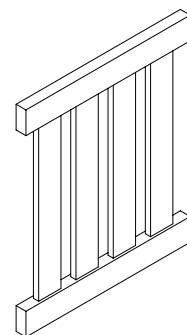


56

2x



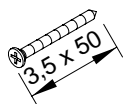
57



58

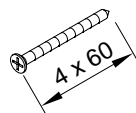
2x

s1



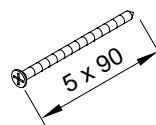
4x

s2



16x

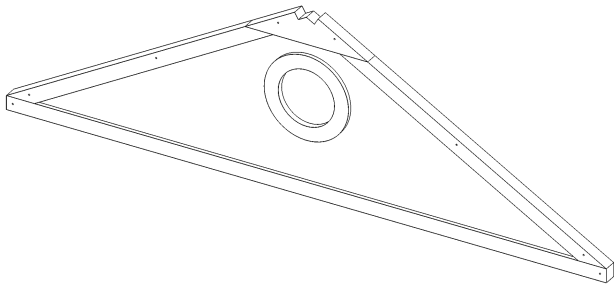
s5



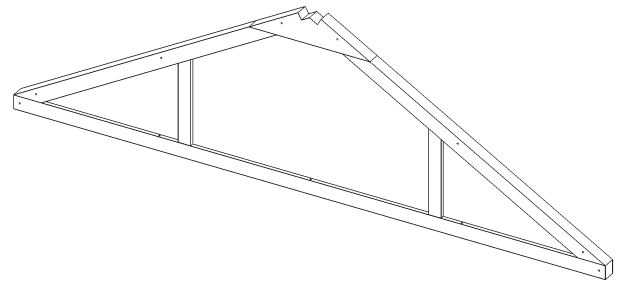
6x



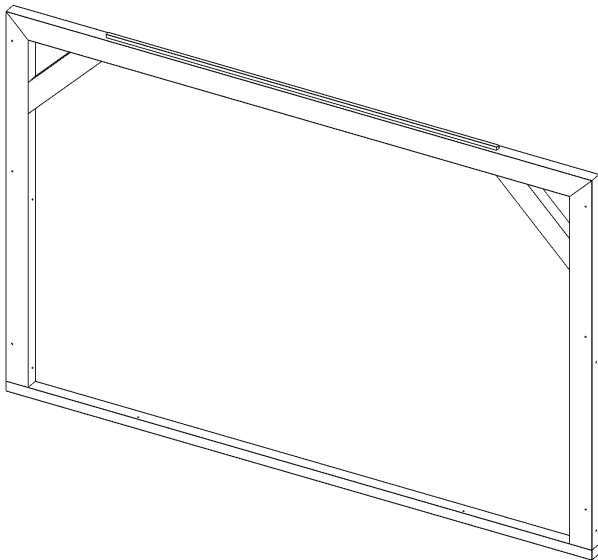
A030.165.00



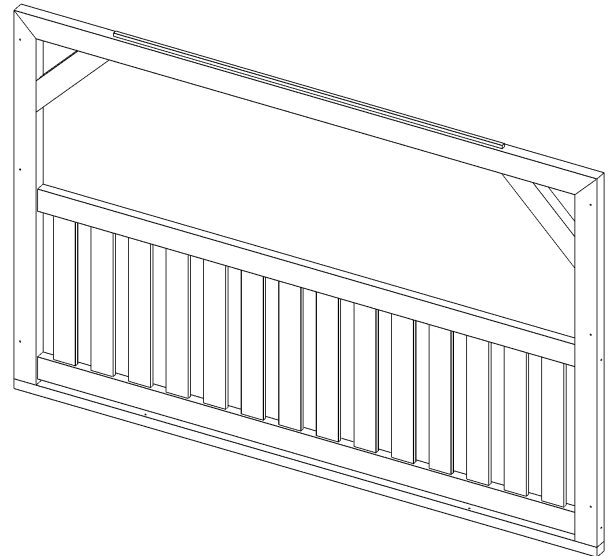
2



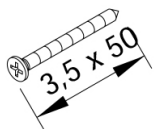
3



4

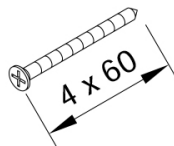


5



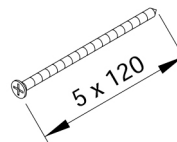
s1

25x



s2

46x

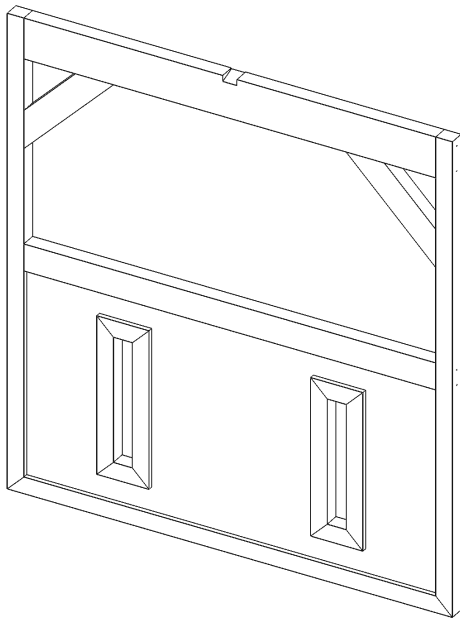


s7

2x



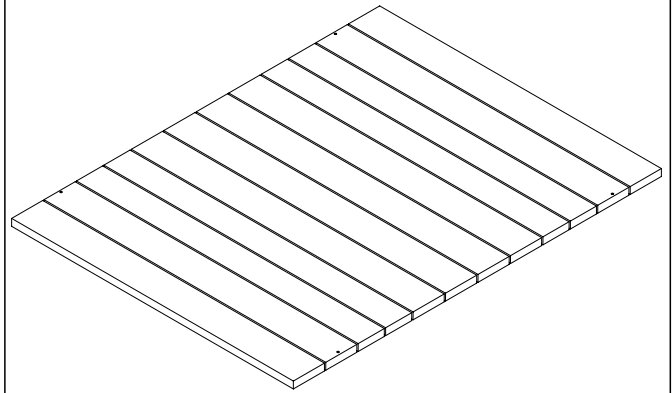
A030.164.00



1

2x

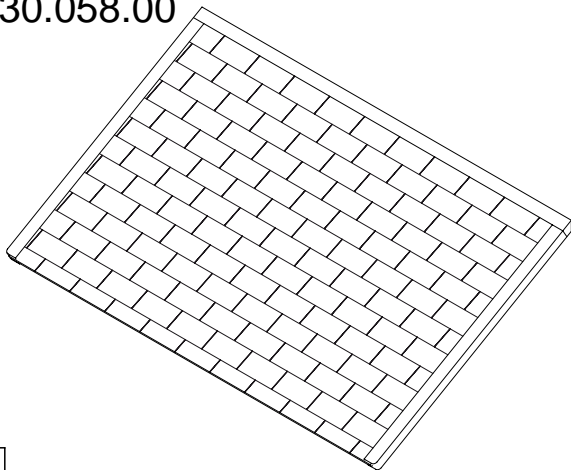
A030.059.00



10

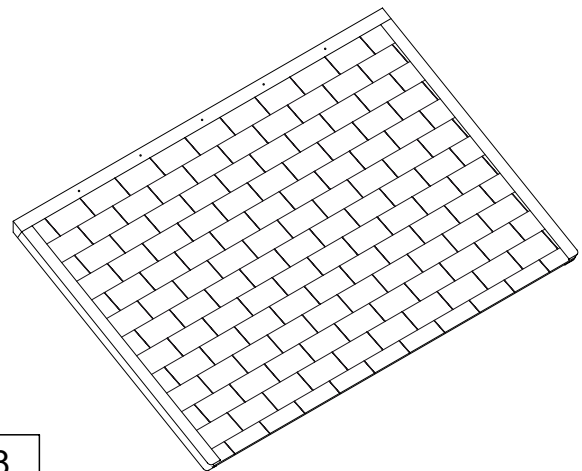
2x

A030.058.00

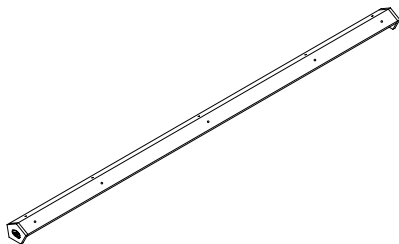


7

8

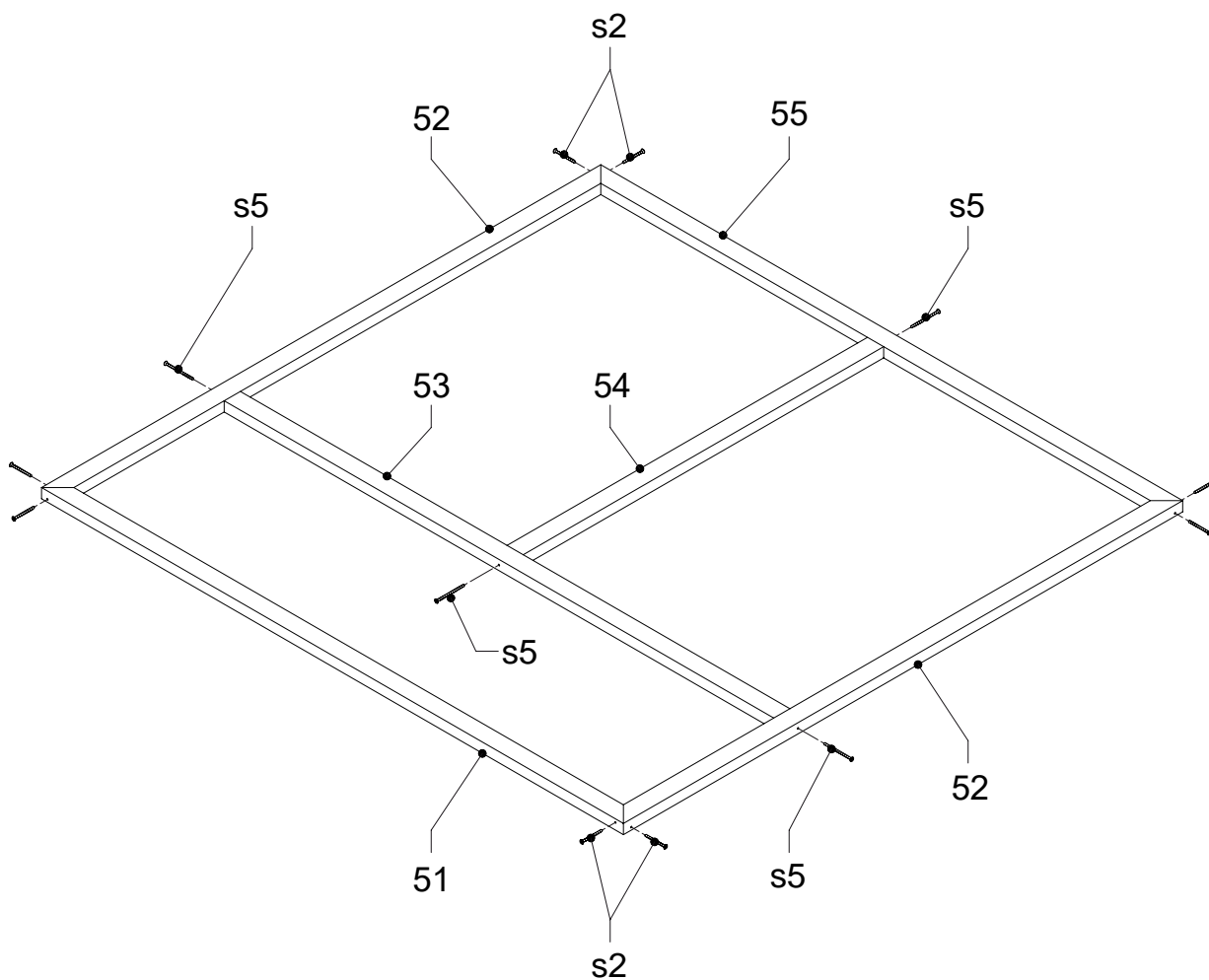


9

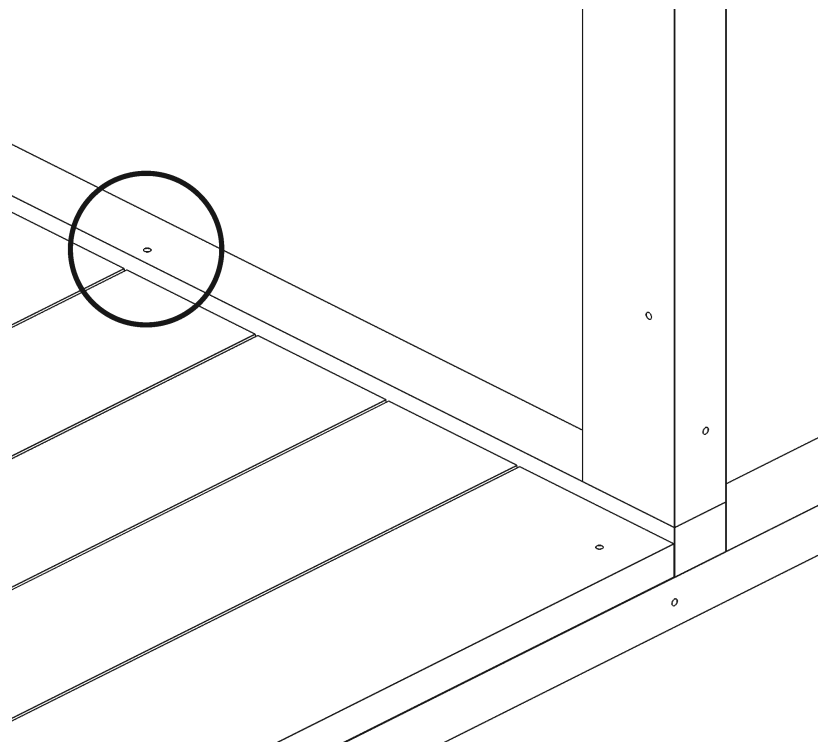
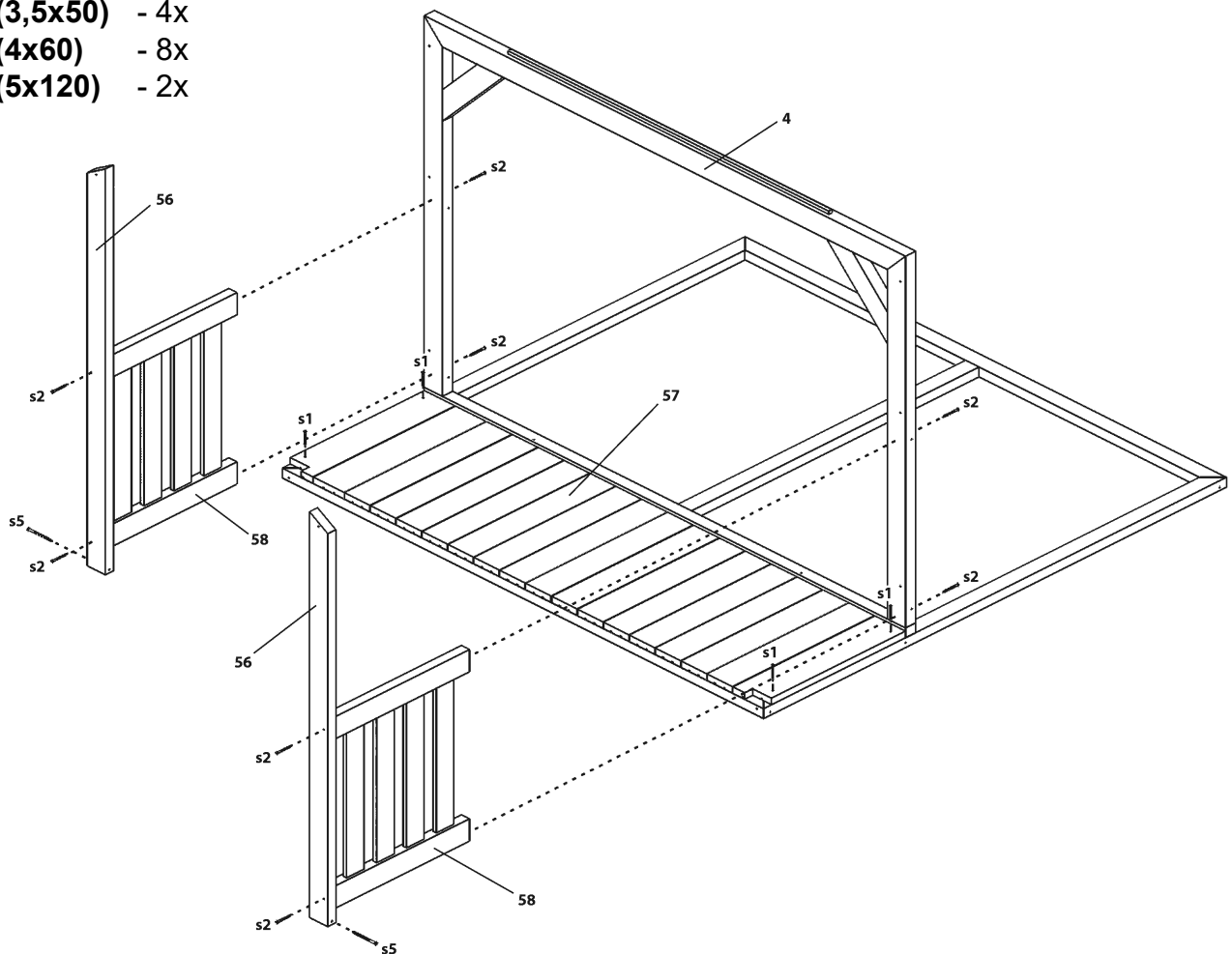




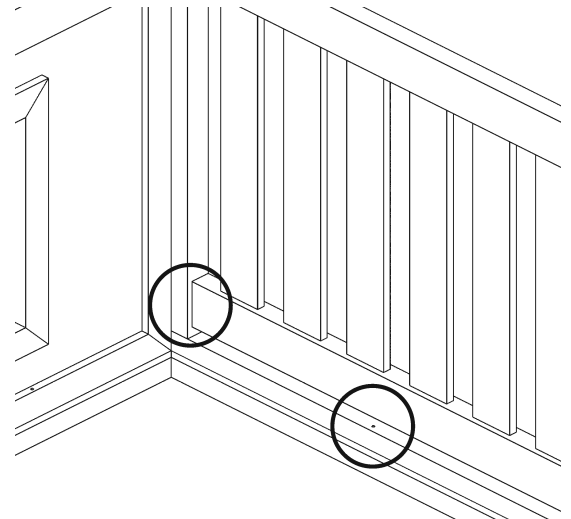
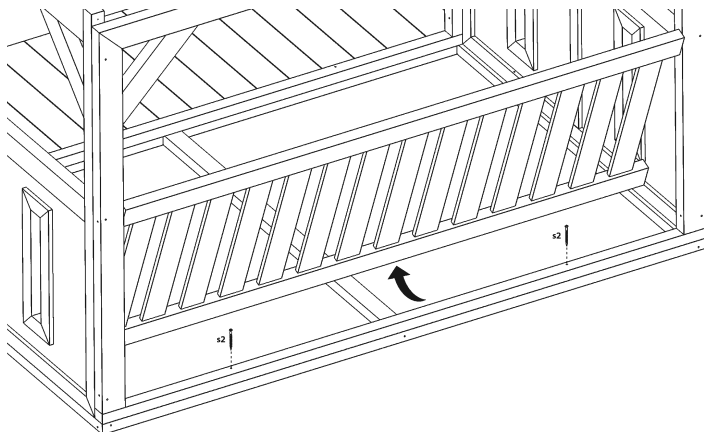
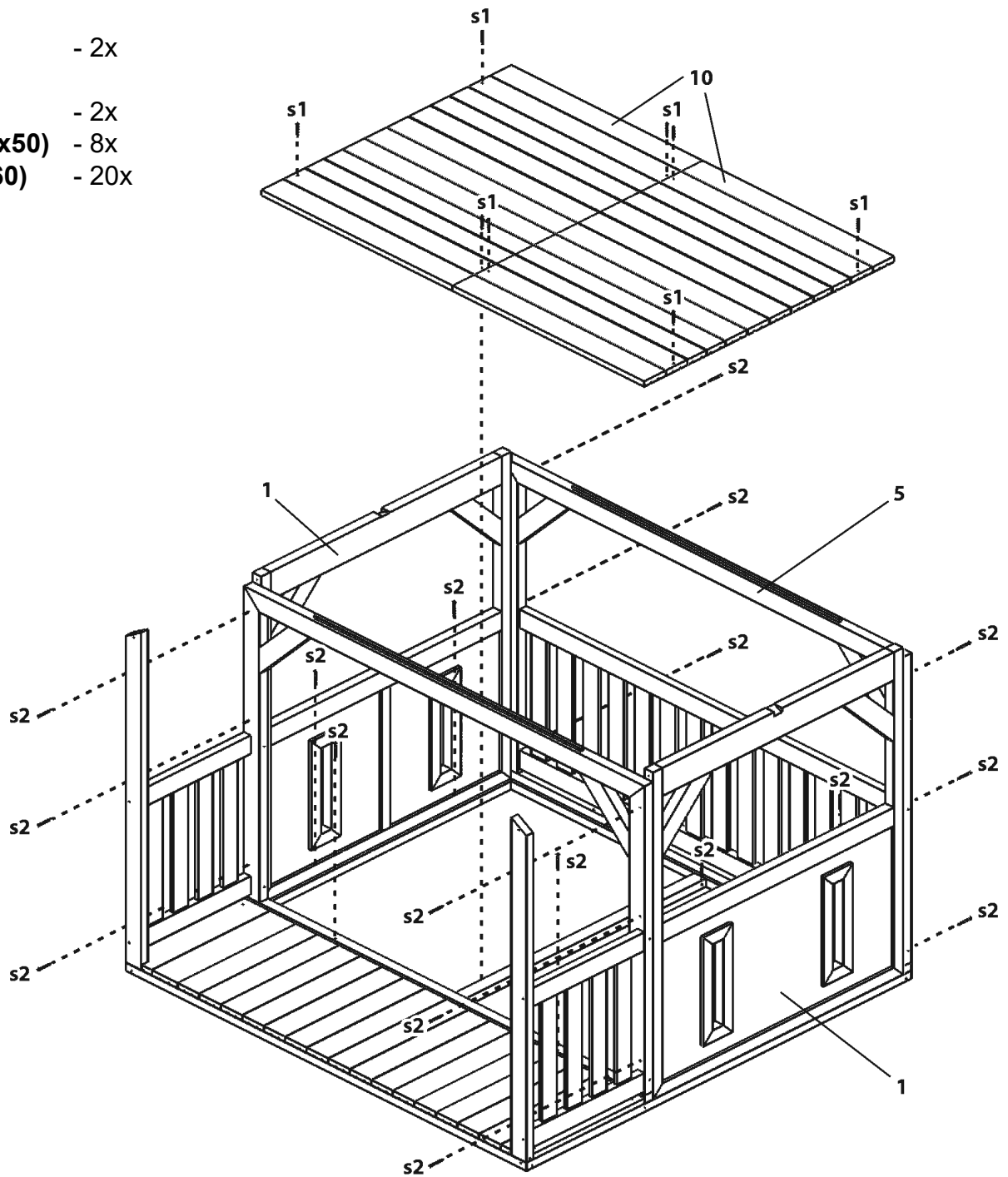
51	52	2x 53	54	55	s2 8x
					s5 4x



- 4**
- 56** - 2x
- 57**
- 58** - 2x
- s1 (3,5x50)** - 4x
- s2 (4x60)** - 8x
- s5 (5x120)** - 2x



- 1 - 2x
- 5 - 2x
- 10 - 2x
- s1 (3,5x50) - 8x
- s2 (4x60) - 20x



- 2
- 3
- 7
- 8
- 9
- s1 (3,5x50) - 17x
- s2 (4x60) - 22x
- s7 (5x120) - 2x

