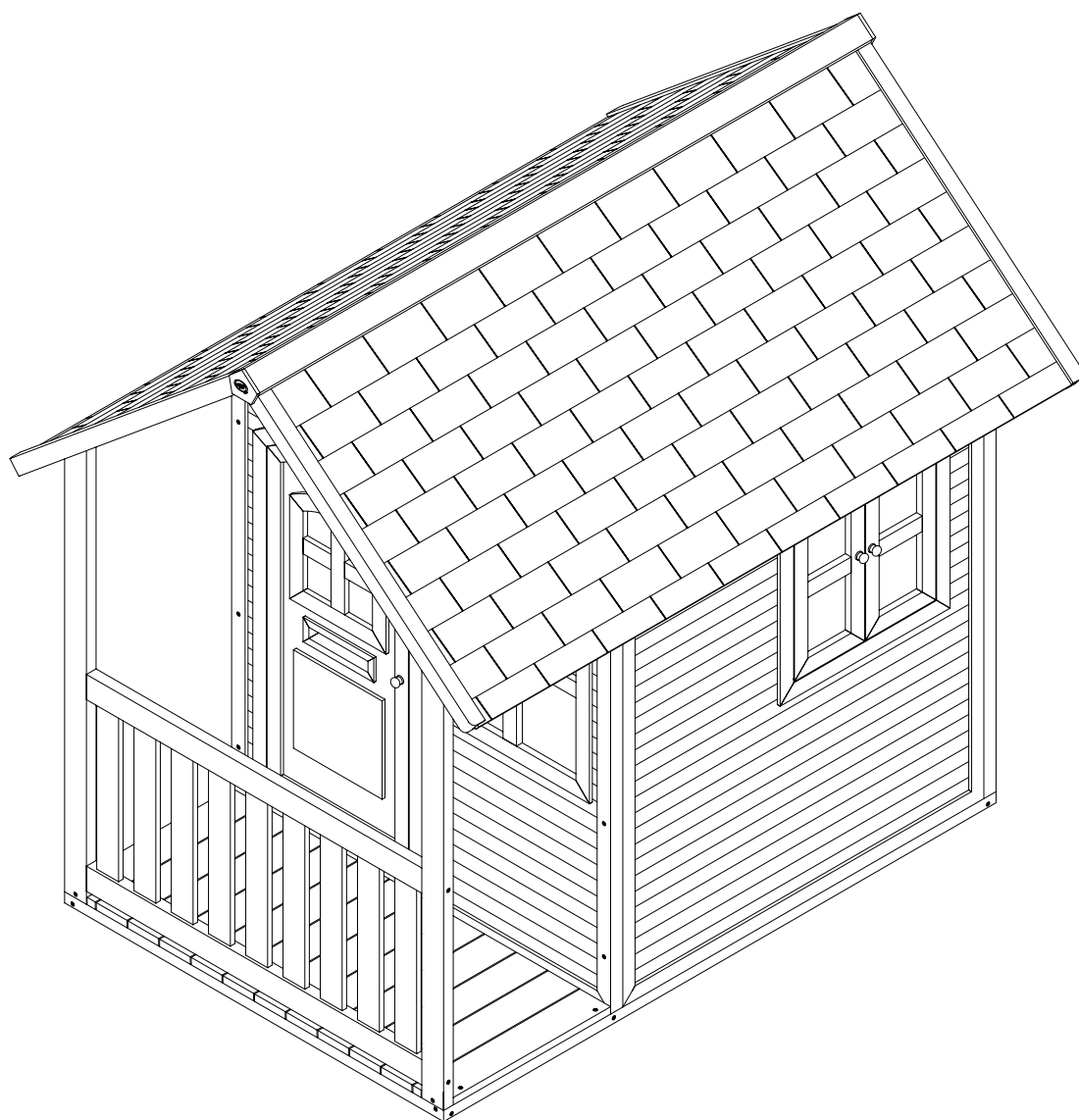
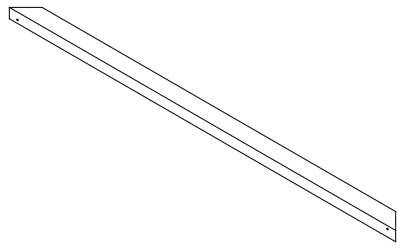


A030.046.00  
A030.047.00  
A030.049.00  
A030.050.00  
A030.051.00

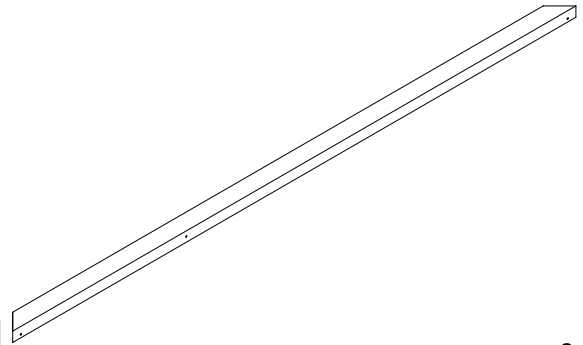




A030.051.00

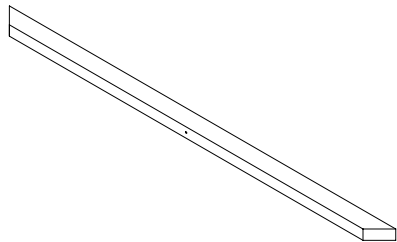


1

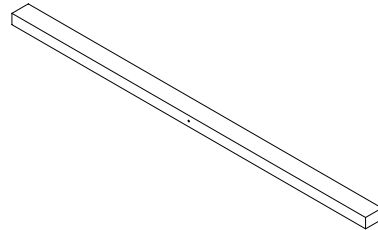


2

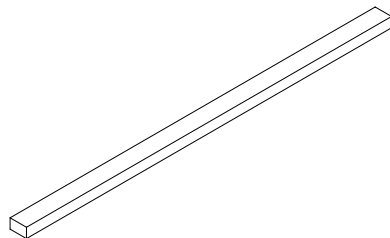
2x



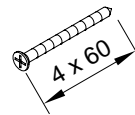
3



4

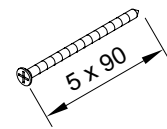


5



s2

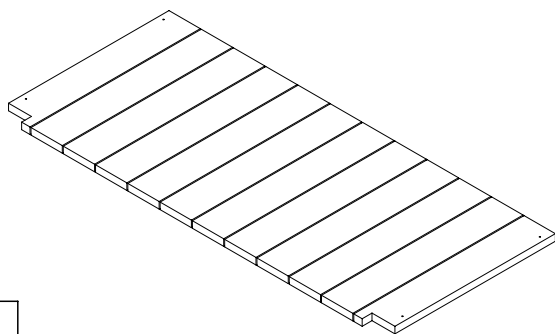
8x



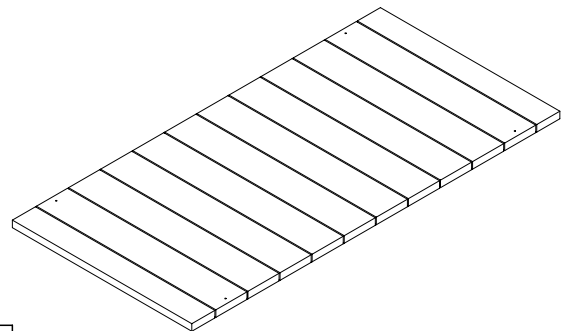
s5

4x

A030.050.00

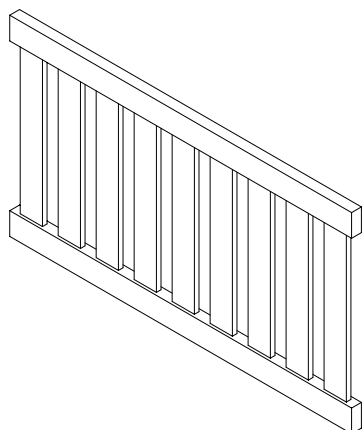


10



11

2x

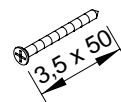


16



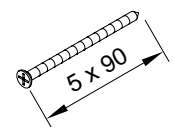
15

2x



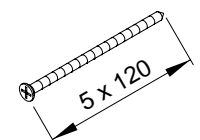
s1

16x



s5

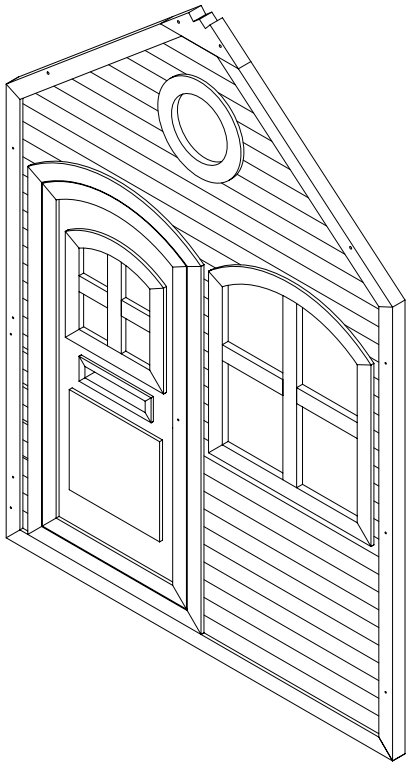
2x



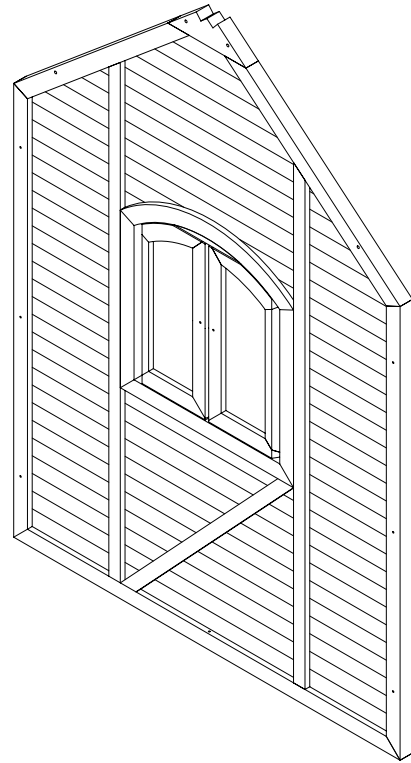
s7

4x

A030.046.00



6



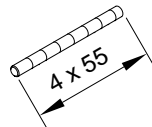
8



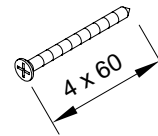
9

14x

t1



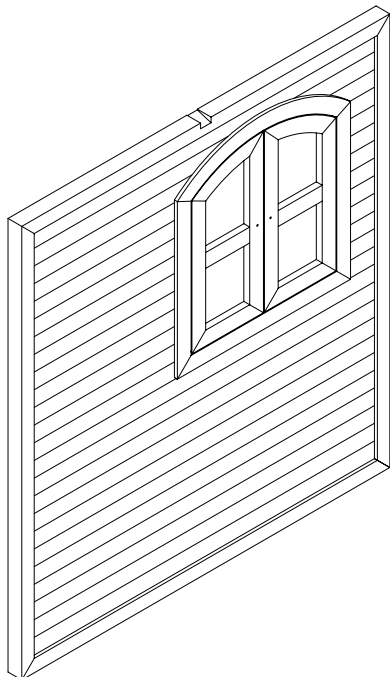
7x



16x

s2

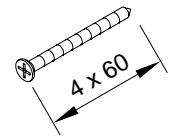
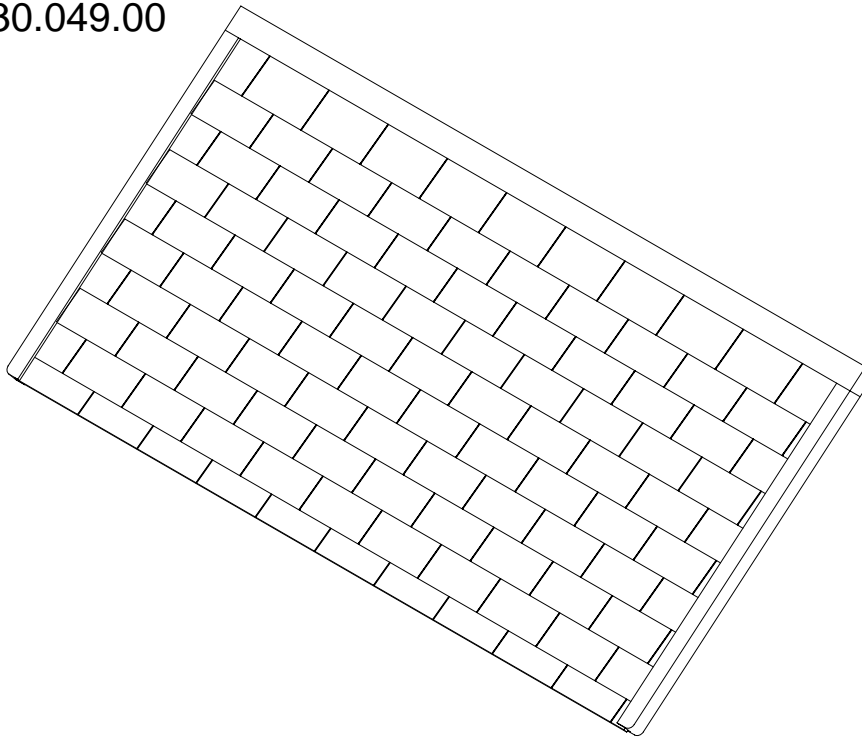
A030.047.00



7

2x

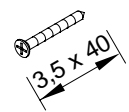
A030.049.00



s2

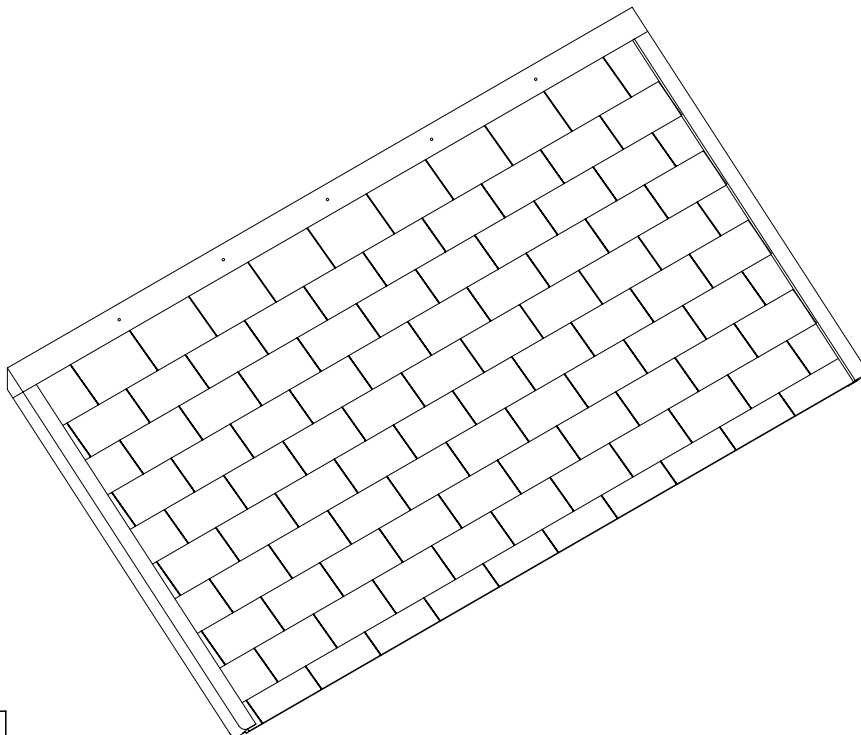
8x

12

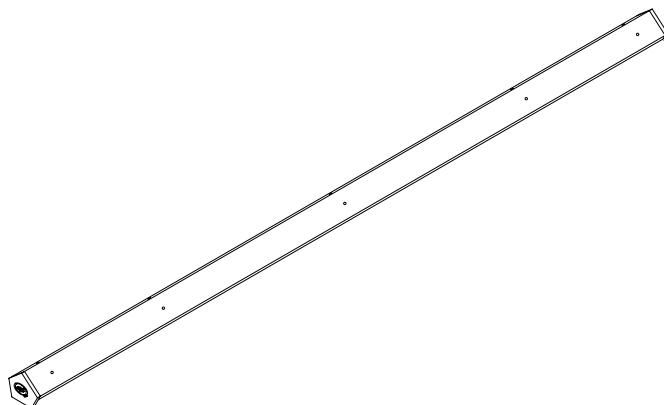


s3

15x



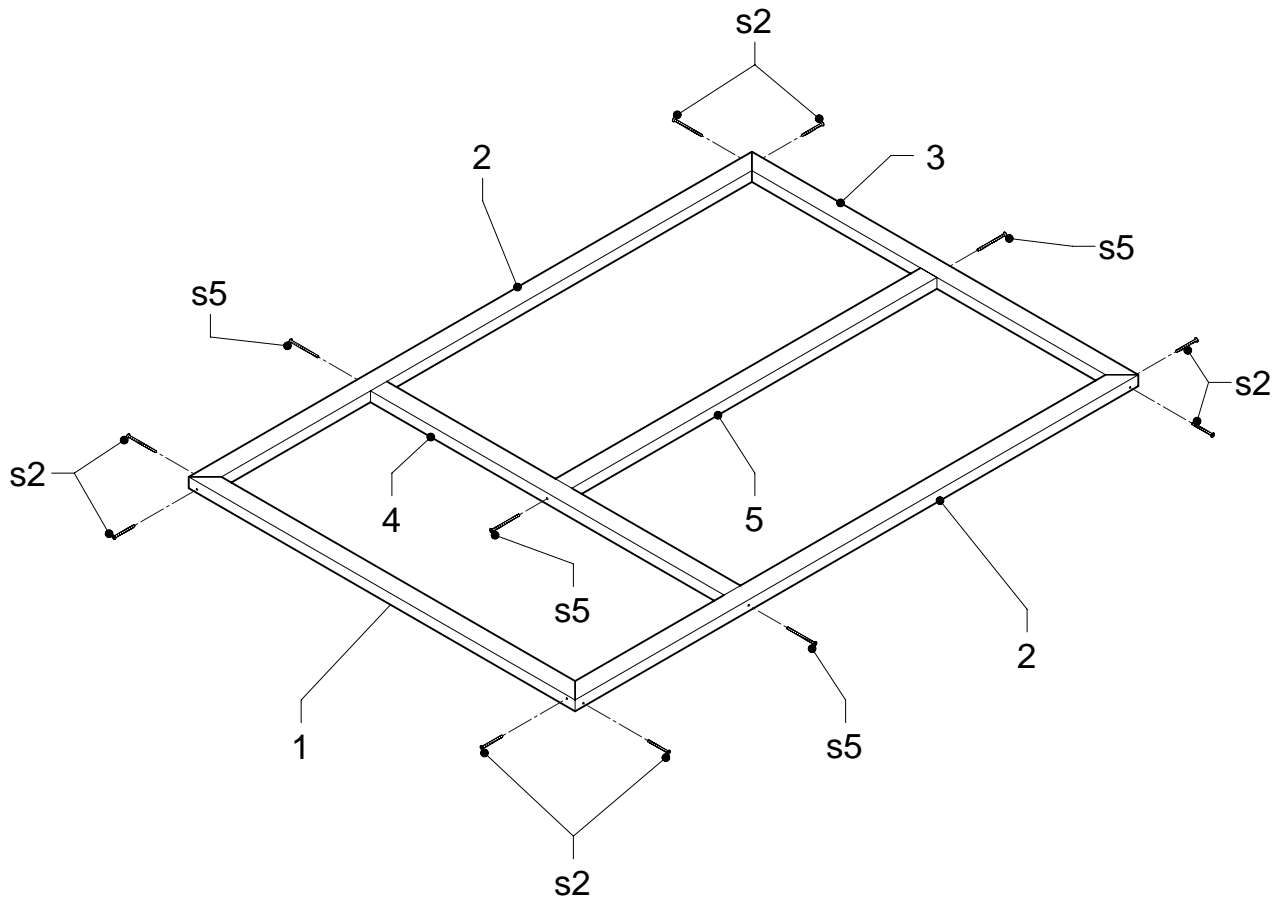
13



14

1	2	2x	3	4	5	s2	8x	s5	4x

A030.051.00

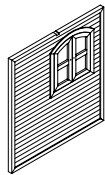




# Alex

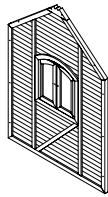


6



7

2x

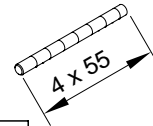


8



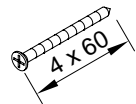
9

14x



t1

7x

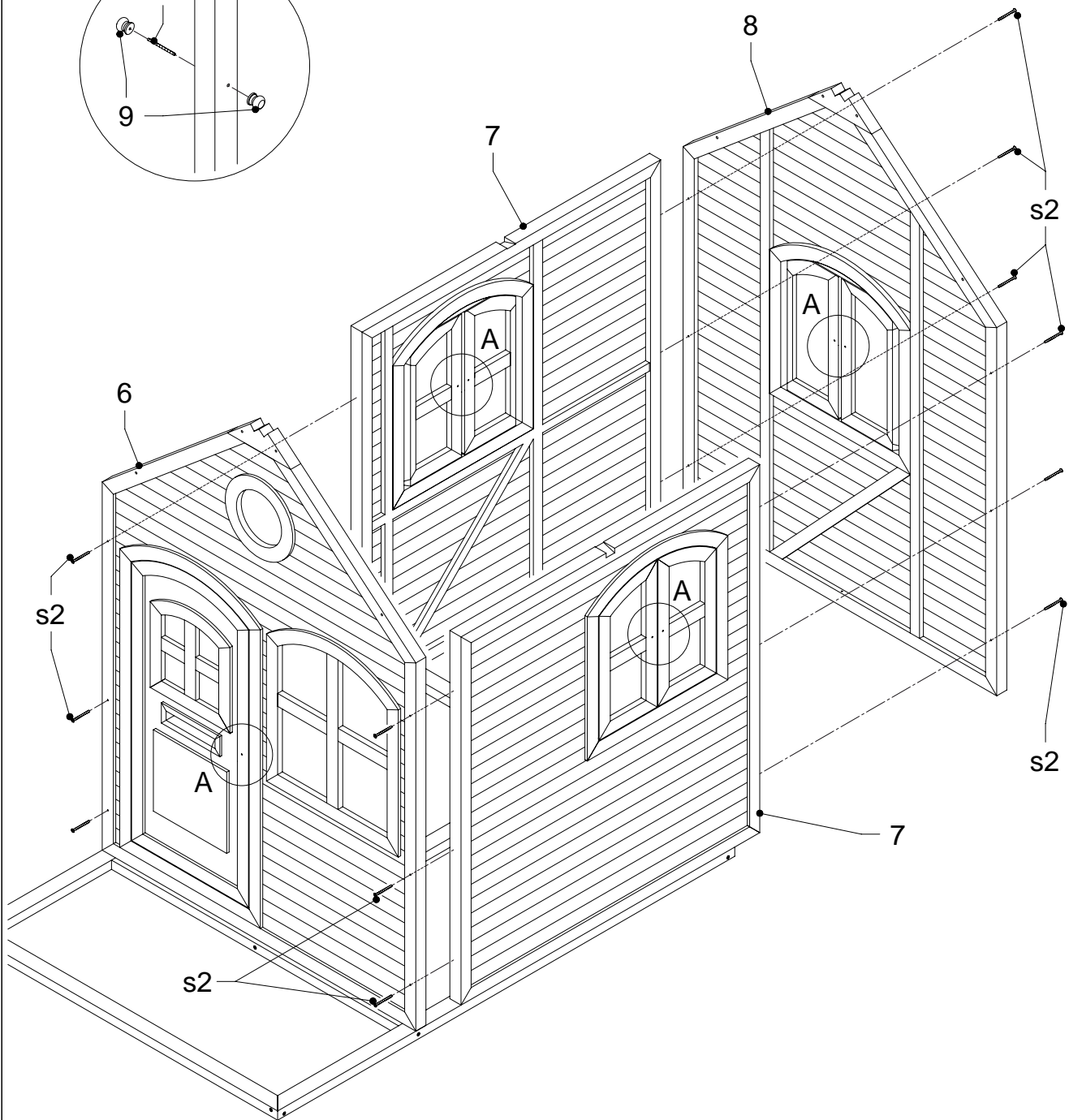
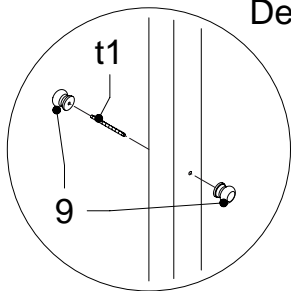


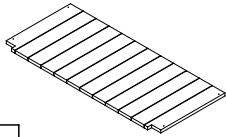
s2

12x

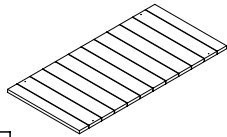
## A030.046.00 + A030.047.00

### Detail A





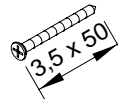
10



11

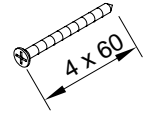
2x

s1



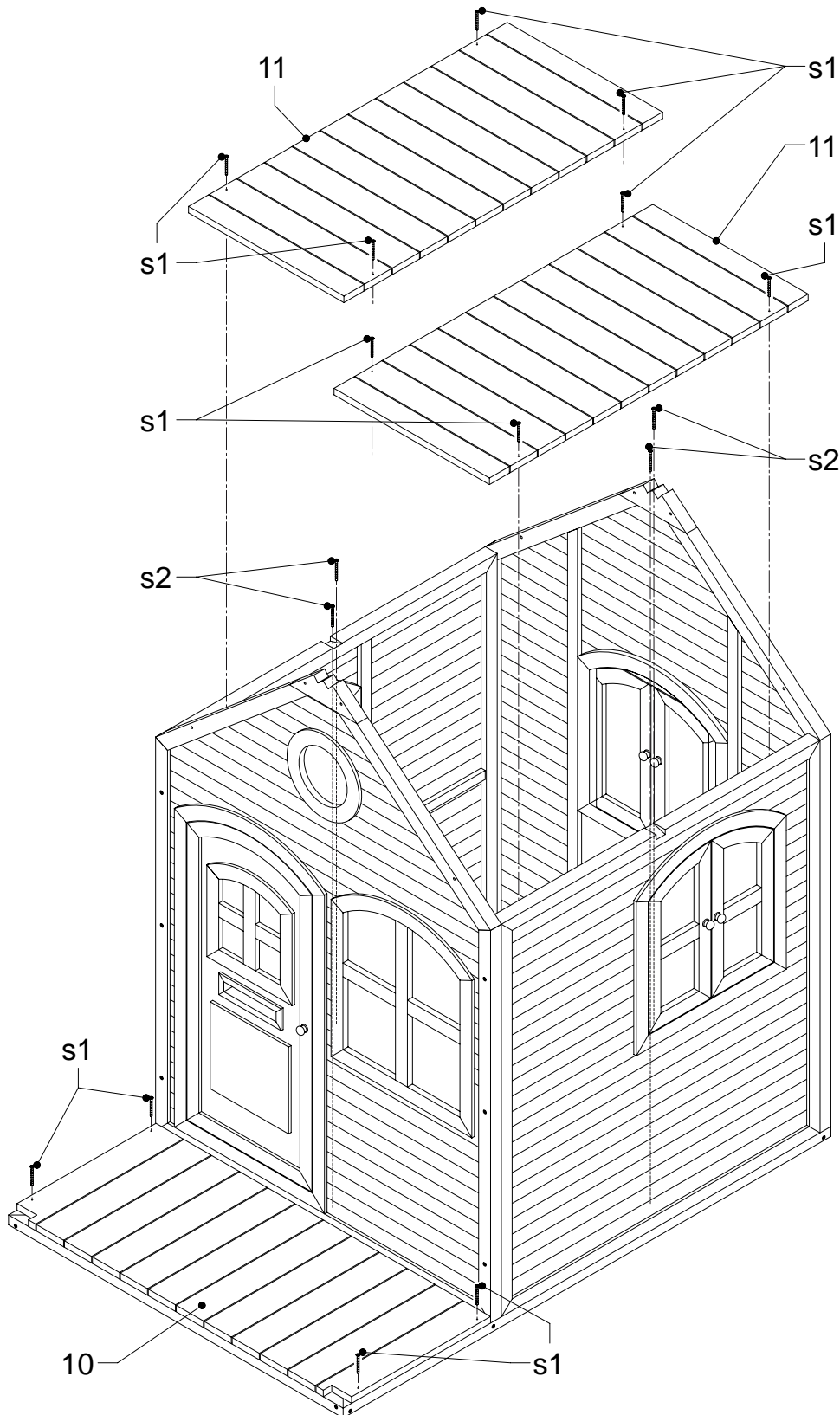
12x

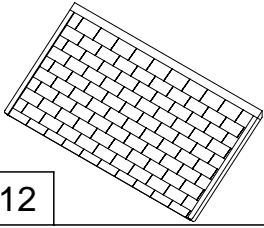
s2



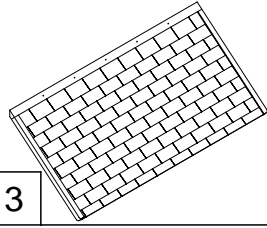
4x

A030.050.00

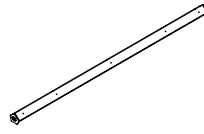




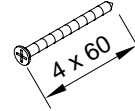
12



13

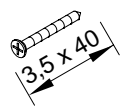


14



s2

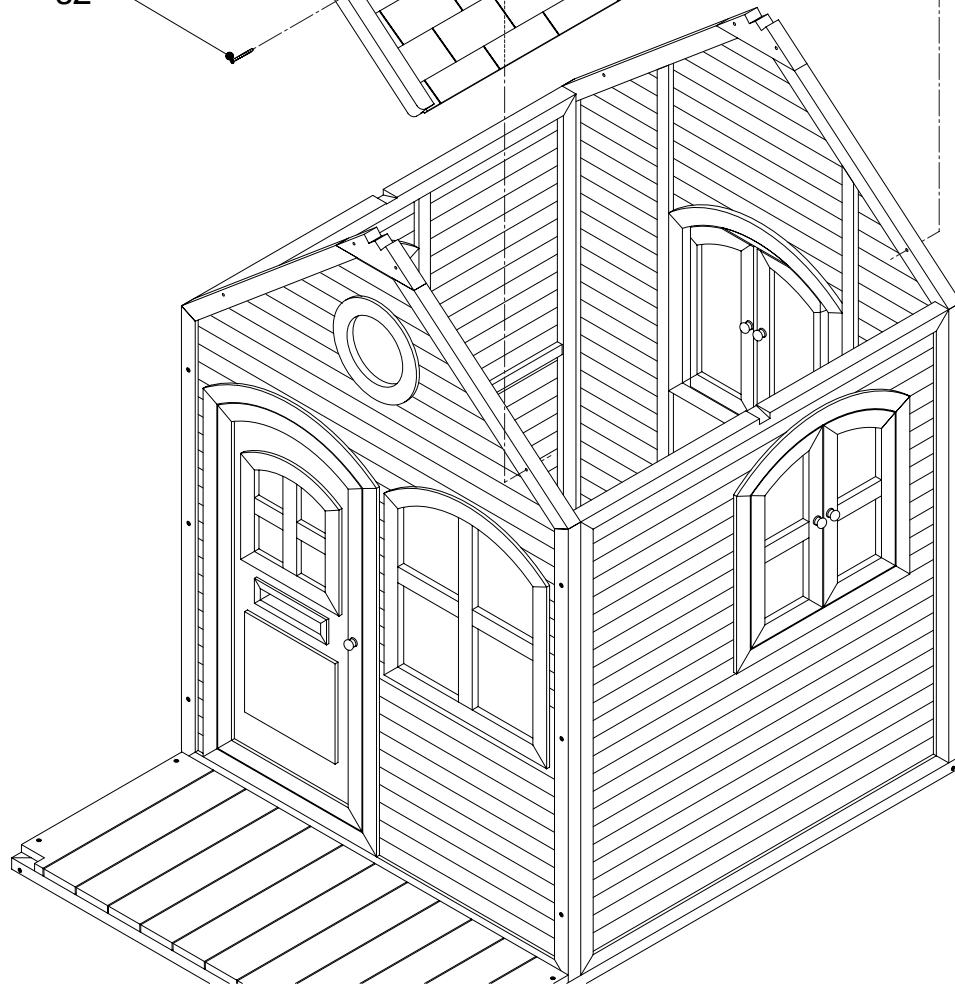
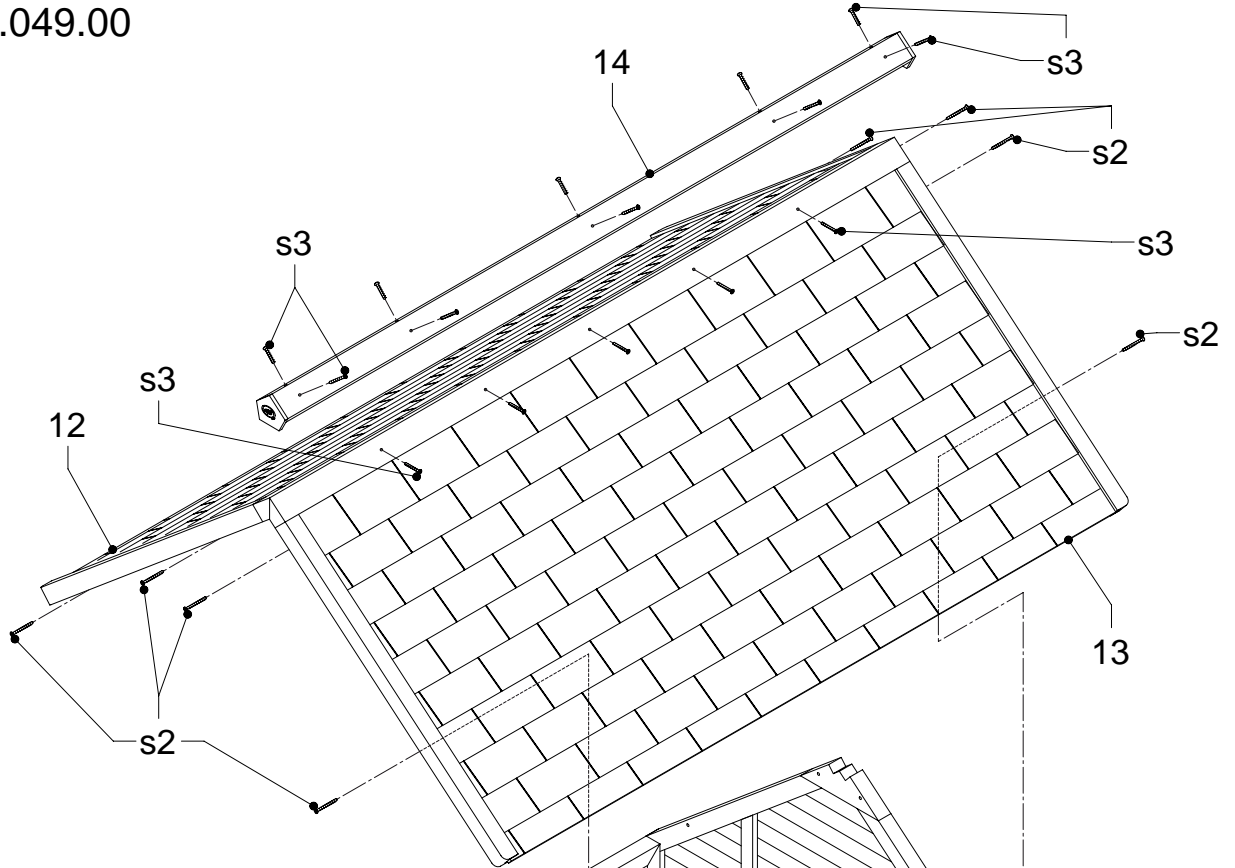
8x




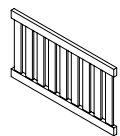
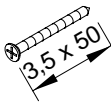
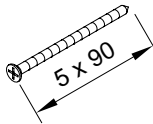
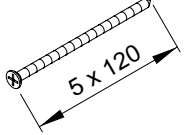
s3

15x

A030.049.00





					
15	2x 16	s1	4x s5	2x s7	4x

A030.050.00

